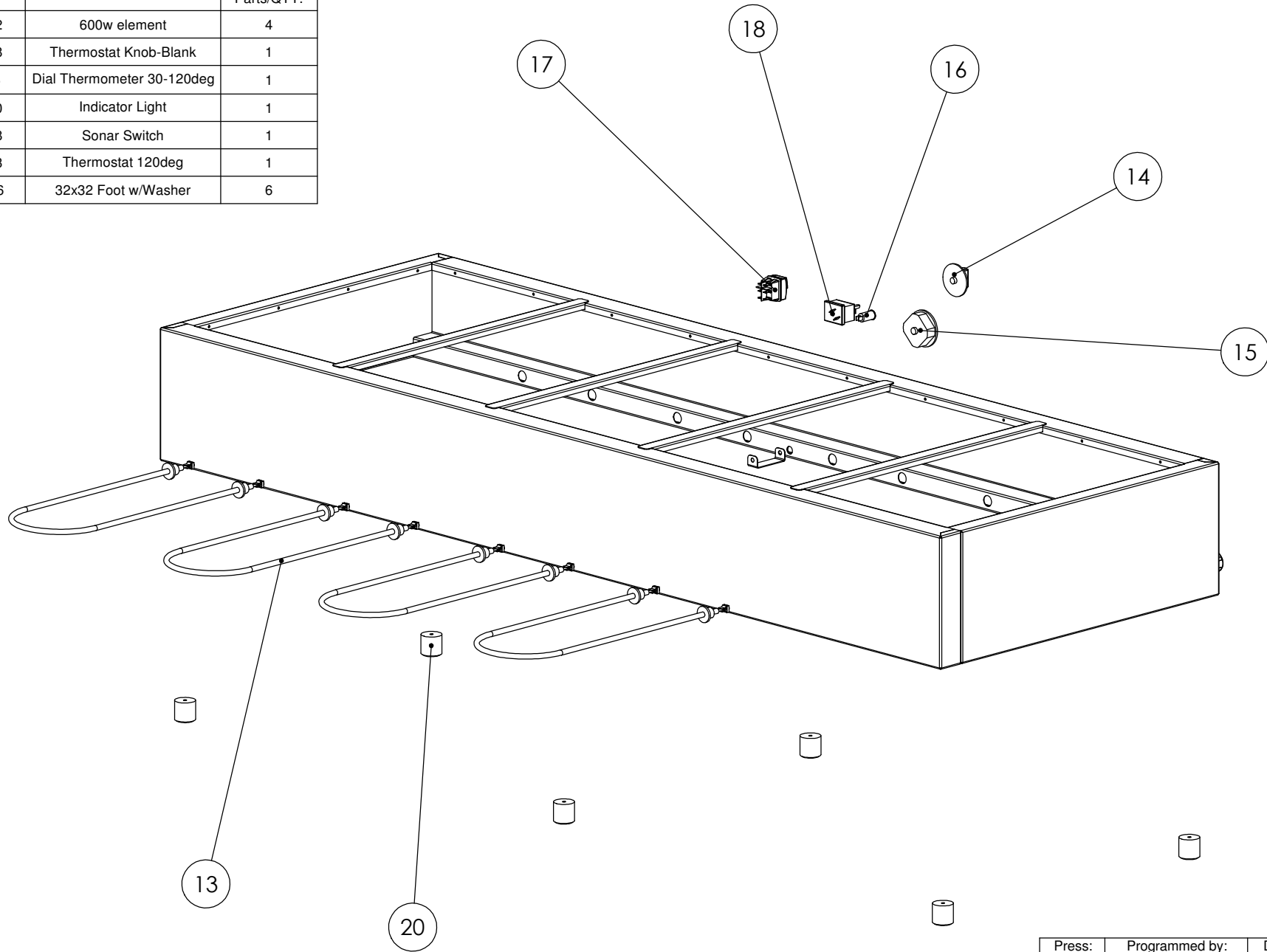


ITEM NO.	PART NUMBER	DESCRIPTION	Replacement Parts/QTY.
13	CMEL-0332	600w element	4
14	CMEL-0698	Thermostat Knob-Blank	1
15	CMEL-0235	Dial Thermometer 30-120deg	1
16	CMEL-0540	Indicator Light	1
17	CMEL-0668	Sonar Switch	1
18	CMEL-0333	Thermostat 120deg	1
20	CMGE-0276	32x32 Foot w/Washer	6



Press:	Programmed by:	Date:	Punch:	Die:
--------	----------------	-------	--------	------

**STODDART**  
**METAL FABRICATORS**  
 TOM STODDART Pty Ltd ACN 009 690 251  
 215 Jackson Rd Sunnybank Hills Qld 4109  
 PO Box 420 Sunnybank Qld 4109  
 Phone (617) 3345 5011 Fax (617) 3344 1000  
 Email sunnybank@stoddart.com.au  
*Quality in stainless steel*

PRODUCT: Woodson 5 Bay Bain Marie				PART No: <b>WBMA25-A001</b>	
DRAWN	N Wooler	SIGNATURE	DATE	UNLESS OTHERWISE SPECIFIED: DIMENSIONS ARE IN MILLIMETERS	
APPVD			3/08/2004	DESCRIPTION: Replacement Parts	
			MATERIAL:		REVISION
			THICKNESS:		A
			FINISH:		
DO NOT SCALE DRAWING		This drawing remains the property of Tom Stoddart Pty Ltd & cannot be reproduced without prior permission.			A3
					Sheet 3 of 19