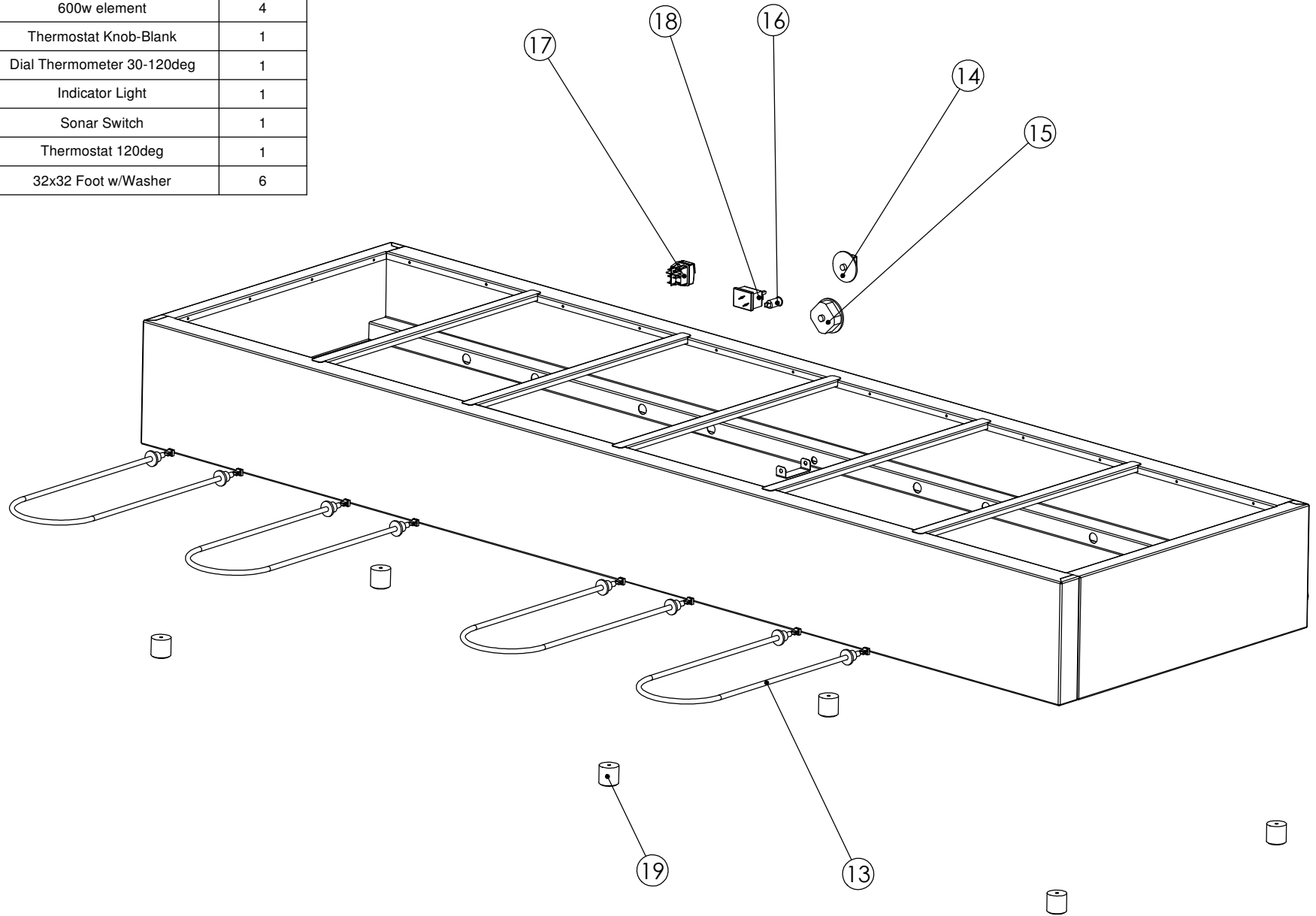


ITEM NO.	PART NUMBER	DESCRIPTION	Replacement Parts/QTY.
13	CMEL-0332	600w element	4
14	CMEL-0698	Thermostat Knob-Blank	1
15	CMEL-0235	Dial Thermometer 30-120deg	1
16	CMEL-0540	Indicator Light	1
17	CMEL-0668	Sonar Switch	1
18	CMEL-0333	Thermostat 120deg	1
19	CMGE-0276	32x32 Foot w/Washer	6



Press:	Programmed by:	Date:	Punch:	Die:
--------	----------------	-------	--------	------


STODDART
METAL FABRICATORS
 TOM STODDART Pty Ltd ACN 009 690 251
 215 Jackson Rd Sunnybank Hills Qld 4109
 PO Box 420 Sunnybank Qld 4109
 Phone (617) 3345 5011 Fax (617) 3344 1000
 Email sunnybank@stoddart.com.au
Quality in stainless steel

PRODUCT: Woodson 6 Bay Bain Marie				PART No: WBMA26-A001	
NAME	SIGNATURE	DATE	UNLESS OTHERWISE SPECIFIED: DIMENSIONS ARE IN MILLIMETERS	DESCRIPTION: Replacement Parts	
DRAWN	N Wooler	3/08/2004			
APPVD			MATERIAL:	DWG No: WBMA26-D001	
			THICKNESS:	REVISION	
			FINISH:	A	
DO NOT SCALE DRAWING			This drawing remains the property of Tom Stoddart Pty Ltd & cannot be reproduced without prior permission.		