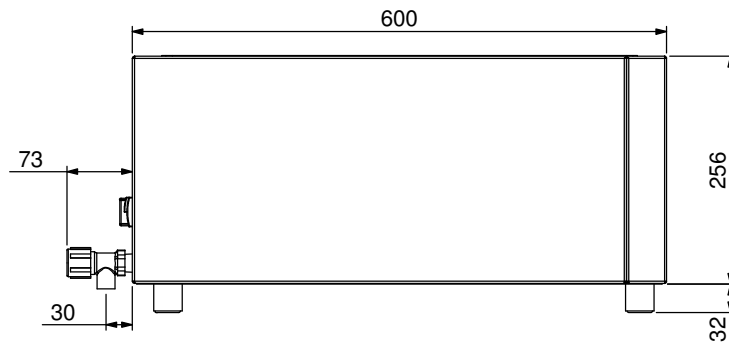
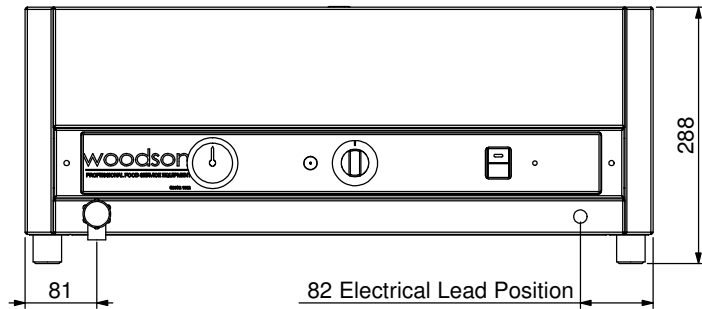
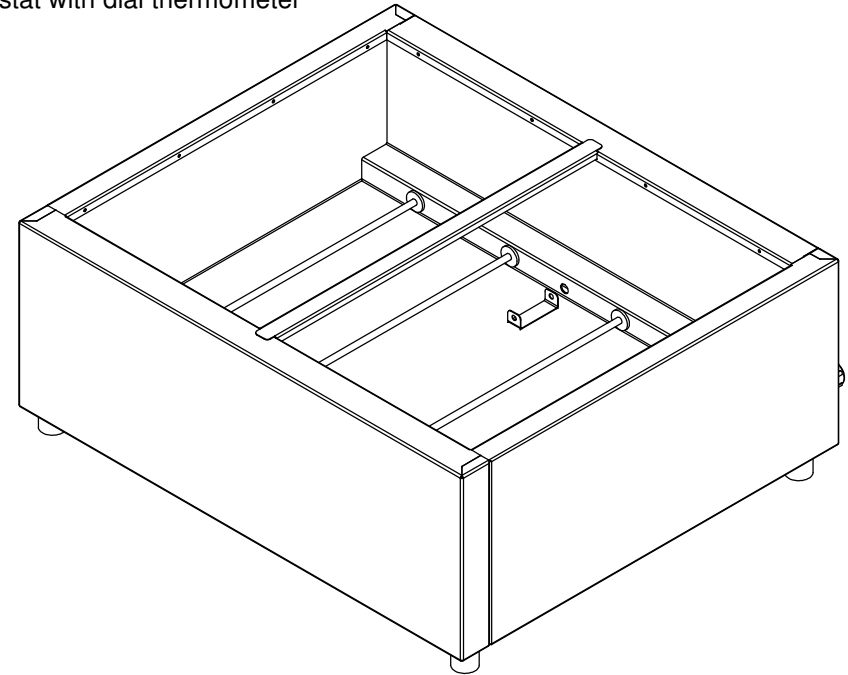
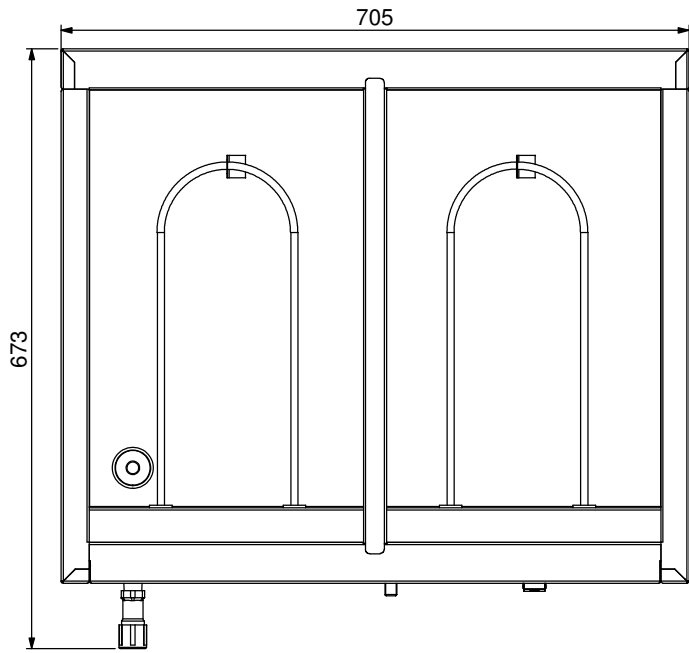


Product Details

Electrical Connection : Supply single phase
 : 240v, 10amps, 1200w, 10amp plug & lead supplied
 : 2 elements @ 600w (240V)
 Waste : 13mm with 19mm drain & 1/2" BSP Mini cistern cock
 Unit Controls : Knob for 110deg thermostat with dial thermometer
 : Switch for main power



Press:	Programmed by:	Date:	Punch:	Die:
--------	----------------	-------	--------	------

STODDART
 METAL FABRICATORS
 TOM STODDART Pty Ltd ACN 009 690 251
 215 Jackson Rd Sunnybank Hills Qld 4109
 PO Box 420 Sunnybank Qld 4109
 Phone (617) 3345 5011 Fax (617) 3344 1000
 Email sunnybank@stoddart.com.au
Quality in stainless steel

PRODUCT: 2/1 Bain Marie				PART No: WBML21-A001	
DRAWN	N Wooler	SIGNATURE	DATE	UNLESS OTHERWISE SPECIFIED: DIMENSIONS ARE IN MILLIMETERS	
APPVD			3/08/2004	DESCRIPTION: Assembly	
			MATERIAL:	REVISION	
			THICKNESS:	A	
			FINISH:	DWG No: WBML21-D001	
DO NOT SCALE DRAWING		This drawing remains the property of Tom Stoddart Pty Ltd & cannot be reproduced without prior permission.			Sheet 1 of 18