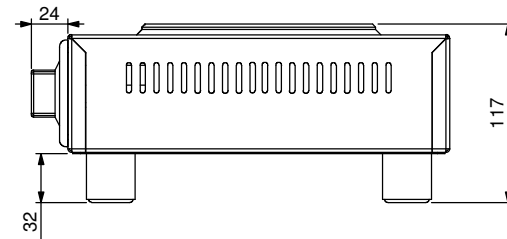
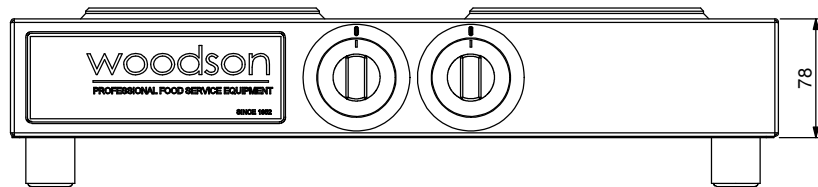
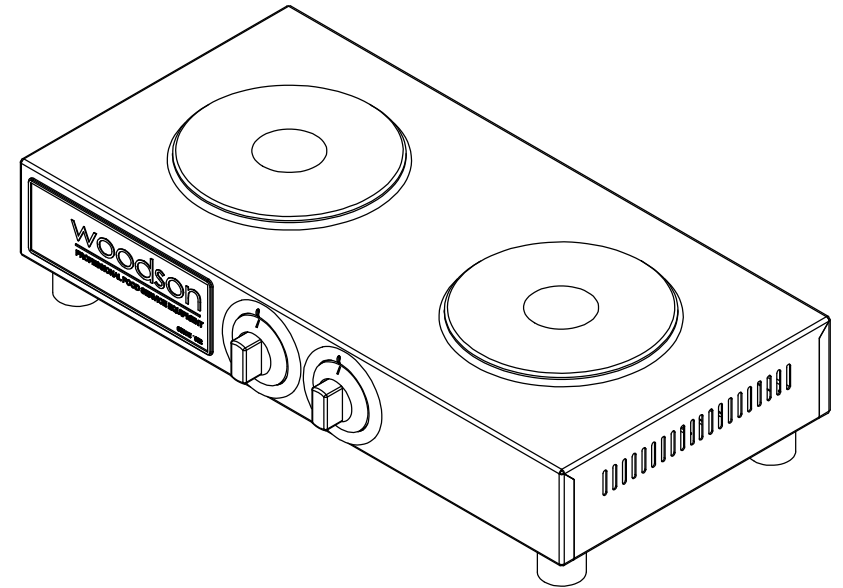
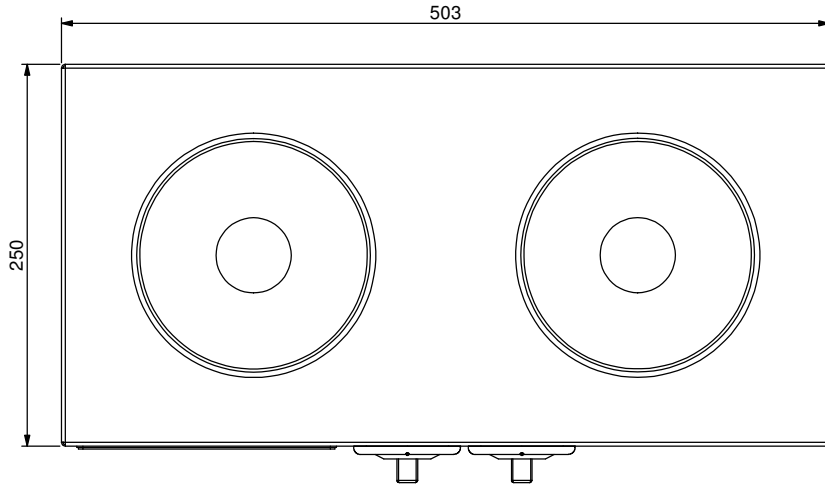


Product Details

Electrical Connection : Supply single phase
 : 240v, 10amps, 2000w, 10amp plug & lead supplied
 : 2 elements @ 1000w (240V)
 Unit Controls : Knob for 6 position rotary switch for each element



STODDART
 METAL FABRICATORS
 TOM STODDART Pty Ltd ACN 009 690 251
 215 Jackson Rd Sunnybank Hills Qld 4109
 PO Box 420 Sunnybank Qld 4109
 Phone (617) 3345 5011 Fax (617) 3344 1000
 Email sunnybank@stoddart.com.au
Quality in stainless steel

Press:				Programmed by:	Date:	Punch:	Die:
PRODUCT: Boiling Plate Double				PART No: WBPD20-A001			
DRAWN	N Wooler	SIGNATURE	DATE	UNLESS OTHERWISE SPECIFIED: DIMENSIONS ARE IN MILLIMETERS		DESCRIPTION: Assembly	
APPVD			3/04/2006	MATERIAL:		REVISION	
				THICKNESS:		DWG No: WBPD20-D001	
				FINISH:		A	
DO NOT SCALE DRAWING				This drawing remains the property of Tom Stoddart Pty Ltd & cannot be reproduced without prior permission.			
				A3	Sheet 1 of 6		