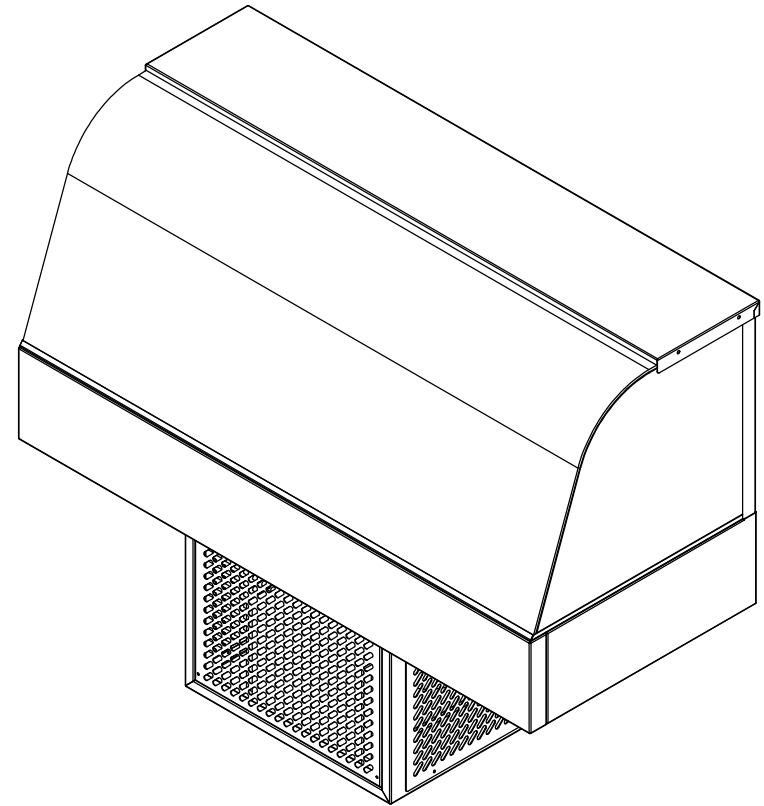
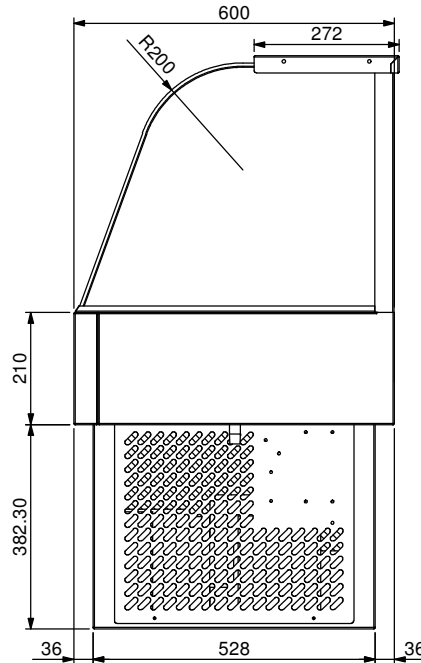
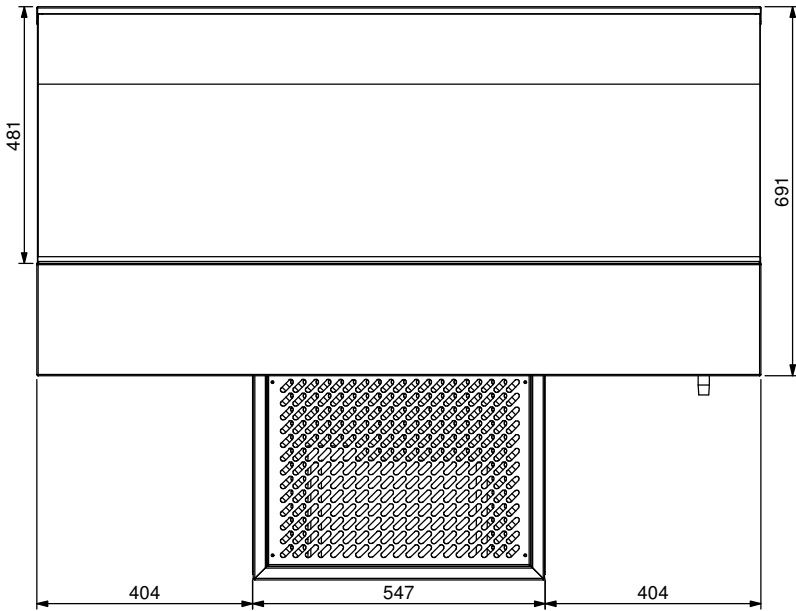
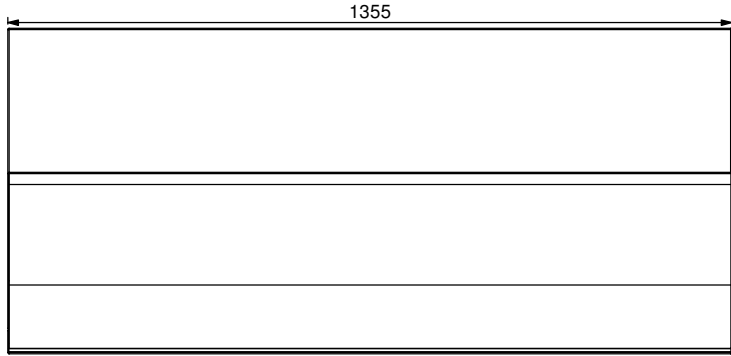


Product Details

Electrical Connection : Supply single phase
 : 240v, 10amps, 2400w, 10amp plug & lead supplied
 : 1 fluoro light @ 36w (240V)
 Waste : 13mm with 19mm drain
 Unit Controls : Switch for main power with electronic thermostat
 : Switch for light
 Refridgeration Components : 1 cross fin coil
 : 1 condenser unit



Press:	Programmed by:	Date:	Punch:	Die:
--------	----------------	-------	--------	------

STODDART
 METAL FABRICATORS
 TOM STODDART Pty Ltd ACN 009 690 251
 215 Jackson Rd Sunnybank Hills Qld 4109
 PO Box 420 Sunnybank Qld 4109
 Phone (617) 3345 5011 Fax (617) 3344 1000
 Email sunnybank@stoddart.com.au
Quality in stainless steel

PRODUCT: 3 Bay Cold Food Display-Curved Glass				PART No: WCFS24-A001	
NAME	SIGNATURE	DATE	UNLESS OTHERWISE SPECIFIED: DIMENSIONS ARE IN MILLIMETERS	DESCRIPTION: Assembly	
DRAWN N Wooler		23/02/2005			
APPVD			MATERIAL:	DWG No: WCFC24-D001	
			THICKNESS:	REVISION	
			FINISH:	B	
DO NOT SCALE DRAWING		This drawing remains the property of Tom Stoddart Pty Ltd & cannot be reproduced without prior permission.			A3
					Sheet 1 of 8

REV.	NAME	DATE	DESCRIPTION
B	N Wooler	11/09/2006	Redesigned Unit