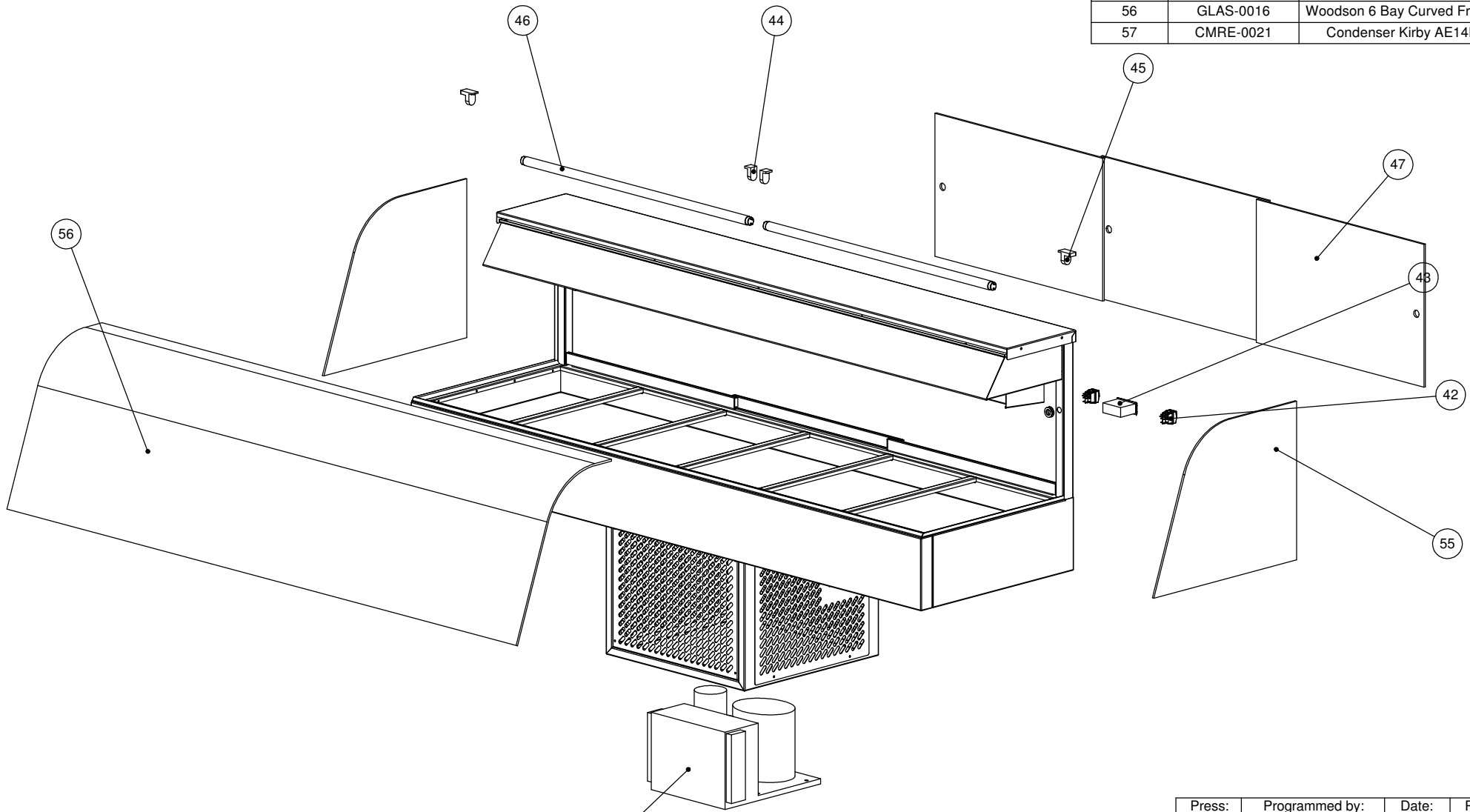


ITEM NO.	PART NUMBER	DESCRIPTION	QTY.
42	CMEL-0668	Sonar Switch	2
43	CMEL-0492	Dixell Controller	1
44	CMEL-0261	Tombstone	2
45	CMEL-0262	Tombstone w/starter	2
46	CMEL-0682	Tube Fluoro 894 long 30W	2
47	GLAS-0009	Woodson 4 Bay Glass Door	3
55	GLAS-0011	Woodson Curved Glass End	2
56	GLAS-0016	Woodson 6 Bay Curved Front Glass	1
57	CMRE-0021	Condenser Kirby AE14MGB2	1



Press:	Programmed by:	Date:	Punch:	Die:
--------	----------------	-------	--------	------

PRODUCT: 6 Bay Cold Food Display-Curved Glass				PART No: <b>WCFS26-A001</b>	
DRAWN	N Wooler	SIGNATURE	DATE	UNLESS OTHERWISE SPECIFIED: DIMENSIONS ARE IN MILLIMETERS	
APPV'D				DESCRIPTION: Curved Glass Spare Parts	
				MATERIAL:	REVISION
				THICKNESS:	A
				FINISH:	
				DWG No: <b>WCFC26-D001</b>	
DO NOT SCALE DRAWING				This drawing remains the property of Tom Stoddart Pty Ltd & cannot be reproduced without prior permission.	
				A3	Sheet 3 of 8


**STODDART**  
**METAL FABRICATORS**  
 TOM STODDART Pty Ltd ACN 009 690 251  
 215 Jackson Rd Sunnybank Hills Qld 4109  
 PO Box 420 Sunnybank Qld 4109  
 Phone (617) 3345 5011 Fax (617) 3344 1000  
 Email sunnybank@stoddart.com.au  
*Quality in stainless steel*