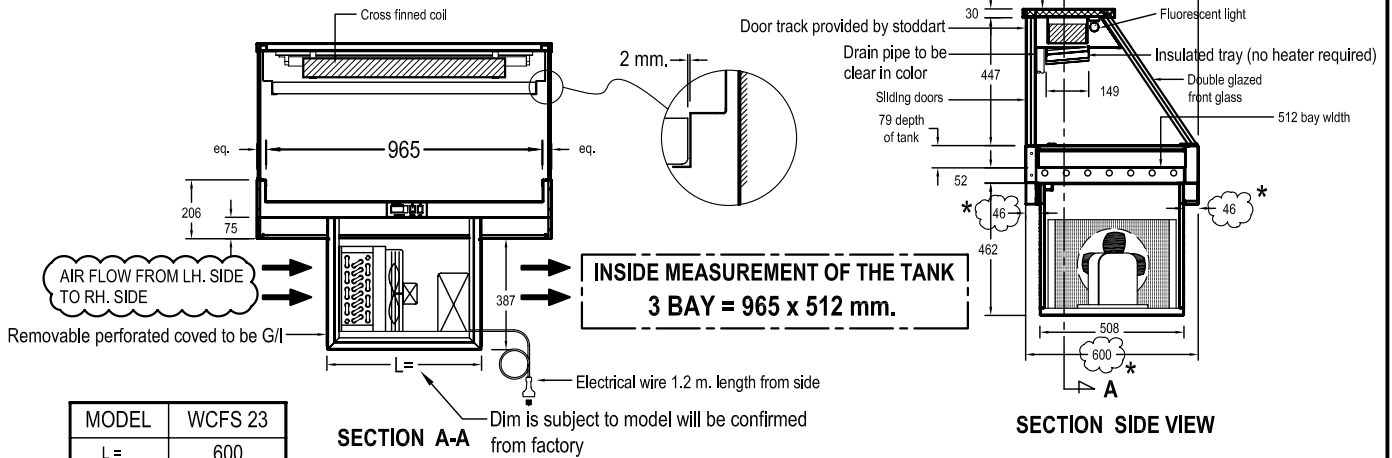


ISOMETRIC

* NOTE : The minor change in dimension



MODEL	WCFS 23
L =	600

TECHNICAL DATA		WCFS 23	
a)	EXTERNAL DIM. (W x D x H)	1030 x (610+600) x 1070	
b)	TEMPERATURE RANGE / CONTROLLER (s)	3°C to 5°C / XR 20C	
c)	REFRIGERANT / CONTROL DEVICE	R-404a / Capillary tube	
d)	COOLING CAPACITY (Btu.)	1358	
e)	COMPRESSOR (Hp.)	1/8	
f)	BAY TO ACCOMODATE G/N PAN 1/1	(Bay size accomodate 3 Pan)	
g)	INTERIOR LIGHT (W.) , [Fluo]	30x1	
h)	VOLTAGE SUPPLY. / Hz. / Ph.	220V. / 50 Hz. / 1 Ph	
	AMPERAGE	1.75	
i)	BODY & BOTTOM	PUR injection : external cover sheet 19 ga.(1.0 mm.) s/s # 4, 2-b finishing,(or as specified.) Internal cover sheet 22 ga. s/s 304 mirrorlike polished surface.	
	SIDE PANELS	Double glazed, condenstop glass	
	SKELETON	Angle steel bar 1-1/2" 6mmt.	
	FRONT SLANT GLASS	Double glazed, condenstop glass	
	DOOR STRUCTURE	Sliding type	
	FURNISHING	Door leave(s) is internally filmed with mirrorlike film faced to front.	
j)	DEFROST SYSTEM	Air defrost	
k)	CONDENSATE WATER VAPORIZING SYSTEM	Use waste heat from compressor	
l)	OPTION	(a) GN pan 1/1 x 65 mmd.	

NOTE :
S/S # 4 FINISHED
↔ REFERS TO
S/S GRAIN DIRECTION
(HORIZONTAL)

WELBILT
Manufacturing(Thailand)Ltd.

UNLESS OTHERWISE NOTED

PROJECT: **STODDART OEM - WOODSON COLD FOOD DISPLAY**

P/O NO.

DESIGN DIMENSIONS ARE IN mm.

PRODUCT: **AS ABOVE SPECIFIED**

QTY.

DATE: **11/10/07**

SCALE **NTS.** DWG. NO. **WCFS 23** PAGE NO.

JOB NO. ITEM:

REVISION: **H**

SA1: SA2: MN1:

DRAWN: CHECKED:

APPROVED:

MN2: FM/PD:

AA: