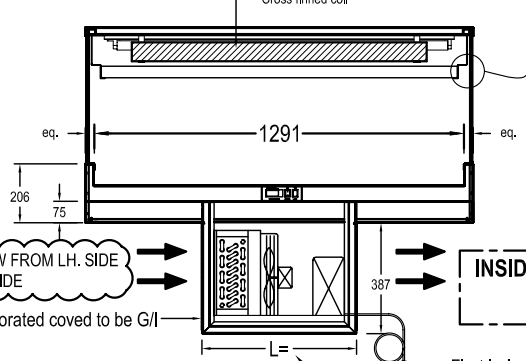
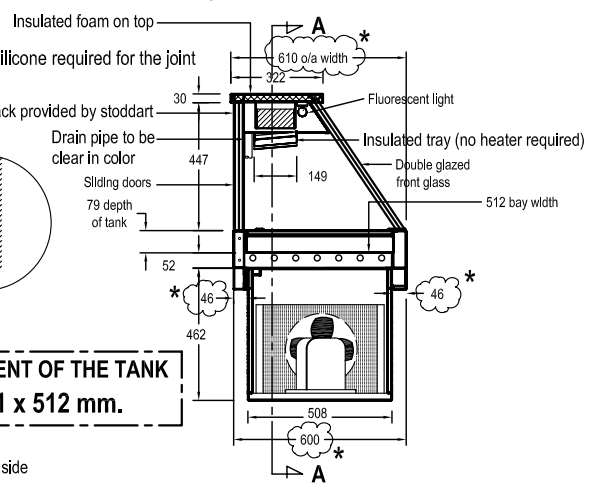


**ISOMETRIC**



\* NOTE : The minor change in dimension



MODEL	WCFS 24
L =	600

**SECTION A-A** Dim is subject to model will be confirmed from factory

**SECTION SIDE VIEW**

TECHNICAL DATA		WCFS 24	
a)	EXTERNAL DIM. (W x D x H)	1355 x (610+600) x 1070	
b)	TEMPERATURE RANGE / CONTROLLER (s)	3°C to 5°C / XR 20C	
c)	REFRIGERANT / CONTROL DEVICE	R-404a / Capillary tube	
d)	COOLING CAPACITY (Btu.)	1757	
e)	COMPRESSOR (Hp.)	1/6	
f)	BAY TO ACCOMODATE G/N PAN 1/1	(Bay size accomodate 4 Pan)	
g)	INTERIOR LIGHT (W.) , [Fluo]	36x1	
h)	VOLTAGE SUPPLY. / Hz. / Ph.	220V. / 50 Hz. / 1 Ph	
	AMPERAGE	2.7	
i)	BODY & BOTTOM	PUR injection : external cover sheet 19 ga.(1.0 mm.) s/s # 4, 2-b finishing,(or as specified.) Internal cover sheet 22 ga. s/s 304 mirrorlike polished surface.	
	SIDE PANELS	Double glazed, condenstop glass	
	SKELETON	Angle steel bar 1-1/2" 6mmt.	
	FRONT SLANT GLASS	Double glazed, condenstop glass	
	DOOR STRUCTURE	Sliding type	
	FURNISHING	Door leave(s) is internally filmed with mirrorlike film faced to front.	
j)	DEFROST SYSTEM	Air defrost	
k)	CONDENSATE WATER VAPORIZING SYSTEM	Use waste heat from compressor	
l)	OPTION	(a) GN pan 1/1 x 65 mmd.	

**NOTE :**  
**S/S # 4 FINISHED**  
**↔ REFERS TO**  
**S/S GRAIN DIRECTION**  
**(HORIZONTAL)**

<b>WELBILT</b> Manufacturing(Thailand)Ltd.		UNLESS OTHERWISE NOTED		PROJECT:	<b>STODDART OEM - WOODSON</b>	P/O NO.
		DESIGN DIMENSIONS ARE IN mm.		PRODUCT:	<b>AS ABOVE SPECIFIED</b>	QTY.
SCALE	NTS.	DWG. NO.	WCFS 24	JOB NO.	ITEM:	DATE: 11/10/07
SA1:		SA2:		DRAWN:	CHECKED:	REVISION: H
		MN1:		MN2:	FM/PD:	APPROVED:
						AA: