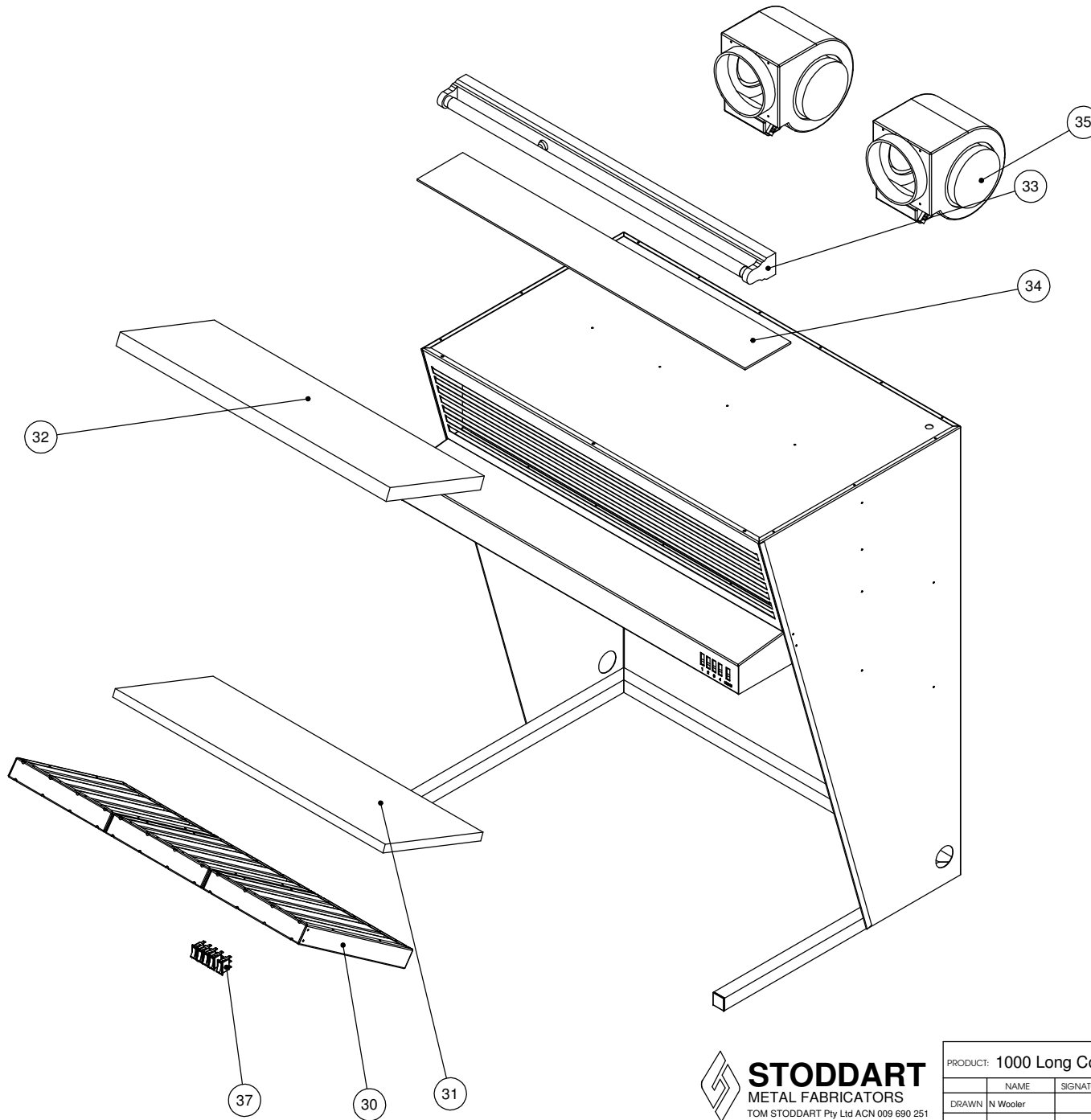


ITEM NO.	PART NUMBER	DESCRIPTION	Spare Parts/QTY.
30	WCHD1000-A002	Baffle Filter	3
31	SP-WCHF1000-P	Polyester Filter 310 x 800 x 20	1
32	SP-WCHF1000-C	Activated Carbon 800 x 300 x 32	1
33	CMEL-0114	Fluoro Assem T8 30w 900mm	1
34	CMGE-0467	Acrylic Opal 971 x 135 x 4.5	1
35	CMEL-0732	EBM Fan D2E 146HT 67-01	2
37	CMEL-0594	Switch Rocker 2 position	5



Press:	Programmed by:	Date:	Punch:	Die:
--------	----------------	-------	--------	------


STODDART
METAL FABRICATORS
 TOM STODDART Pty Ltd ACN 009 690 251
 215 Jackson Rd Sunnybank Hills Qld 4109
 PO Box 420 Sunnybank Qld 4109
 Phone (617) 3345 5011 Fax (617) 3344 1000
 Email sunnybank@stoddart.com.au
Quality in stainless steel

PRODUCT: 1000 Long Counter Top Ductless Hood				PART No: WCHD1000-A001	
NAME	SIGNATURE	DATE	UNLESS OTHERWISE SPECIFIED: DIMENSIONS ARE IN MILLIMETERS	DESCRIPTION: Spare Parts	
DRAWN N Wooler		20/04/2006			
APPV/D			MATERIAL:	DWG No: WCHD1000-D001	
			THICKNESS:	REVISION A	
			FINISH:		
DO NOT SCALE DRAWING	This drawing remains the property of Tom Stoddart Pty Ltd & cannot be reproduced without prior permission.			A3	Sheet 3 of 39