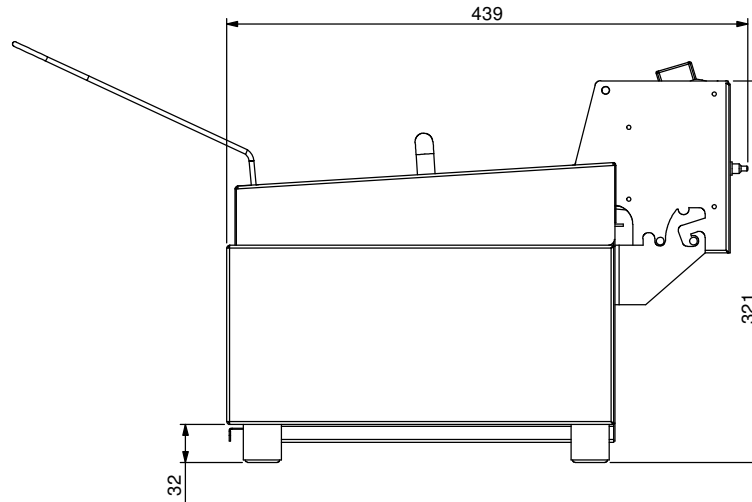
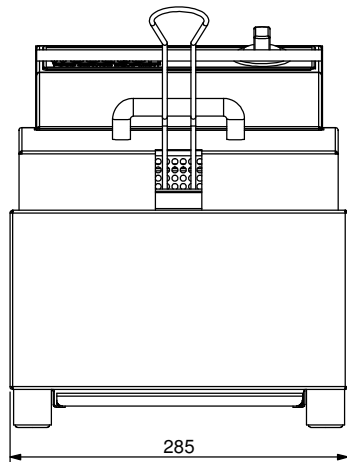
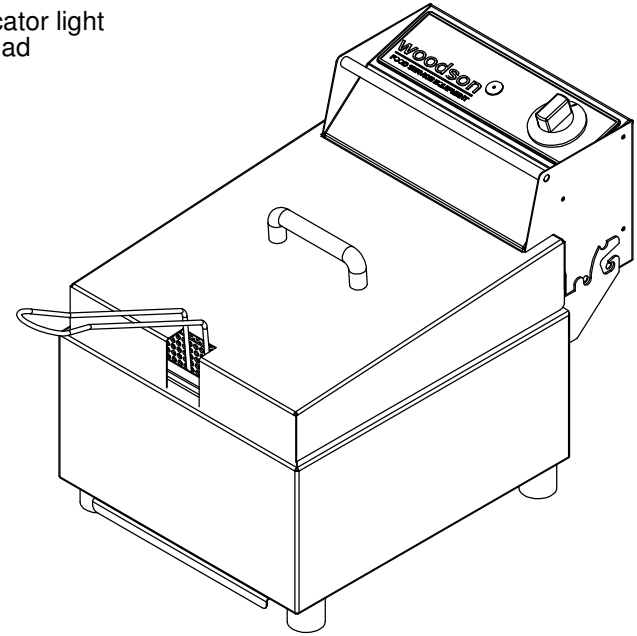


**Product Details**

Electrical Connection : Supply single phase  
 : 240v, 10amps, 2400w, 10amp plug & lead supplied  
 : 1 element @ 2400w (240V)  
 Pan Size : 1/2 x 150 deep, 1 of  
 Unit Controls : Knob with 205deg thermostat and indicator light  
 : Reset button for 238deg thermal overload



Press:	Programmed by:	Date:	Punch:	Die:
--------	----------------	-------	--------	------

**STODDART**  
 METAL FABRICATORS  
 TOM STODDART Pty Ltd ACN 009 690 251  
 215 Jackson Rd Sunnybank Hills Qld 4109  
 PO Box 420 Sunnybank Qld 4109  
 Phone (617) 3345 5011 Fax (617) 3344 1000  
 Email sunnybank@stoddart.com.au  
*Quality in stainless steel*

PRODUCT: 5L Single Pan Fryer				PART No: <b>WFRS50-A001</b>	
DRAWN	N Wooler	SIGNATURE	DATE	UNLESS OTHERWISE SPECIFIED: DIMENSIONS ARE IN MILLIMETERS	
APPV'D			22/04/2004	DESCRIPTION: Assembly	
			MATERIAL: 0.9 430 B/A		REVISION
			THICKNESS: FINISH: B/A		<b>E</b>
DO NOT SCALE DRAWING		This drawing remains the property of Tom Stoddart Pty Ltd & cannot be reproduced without prior permission.			Sheet 1 of 20