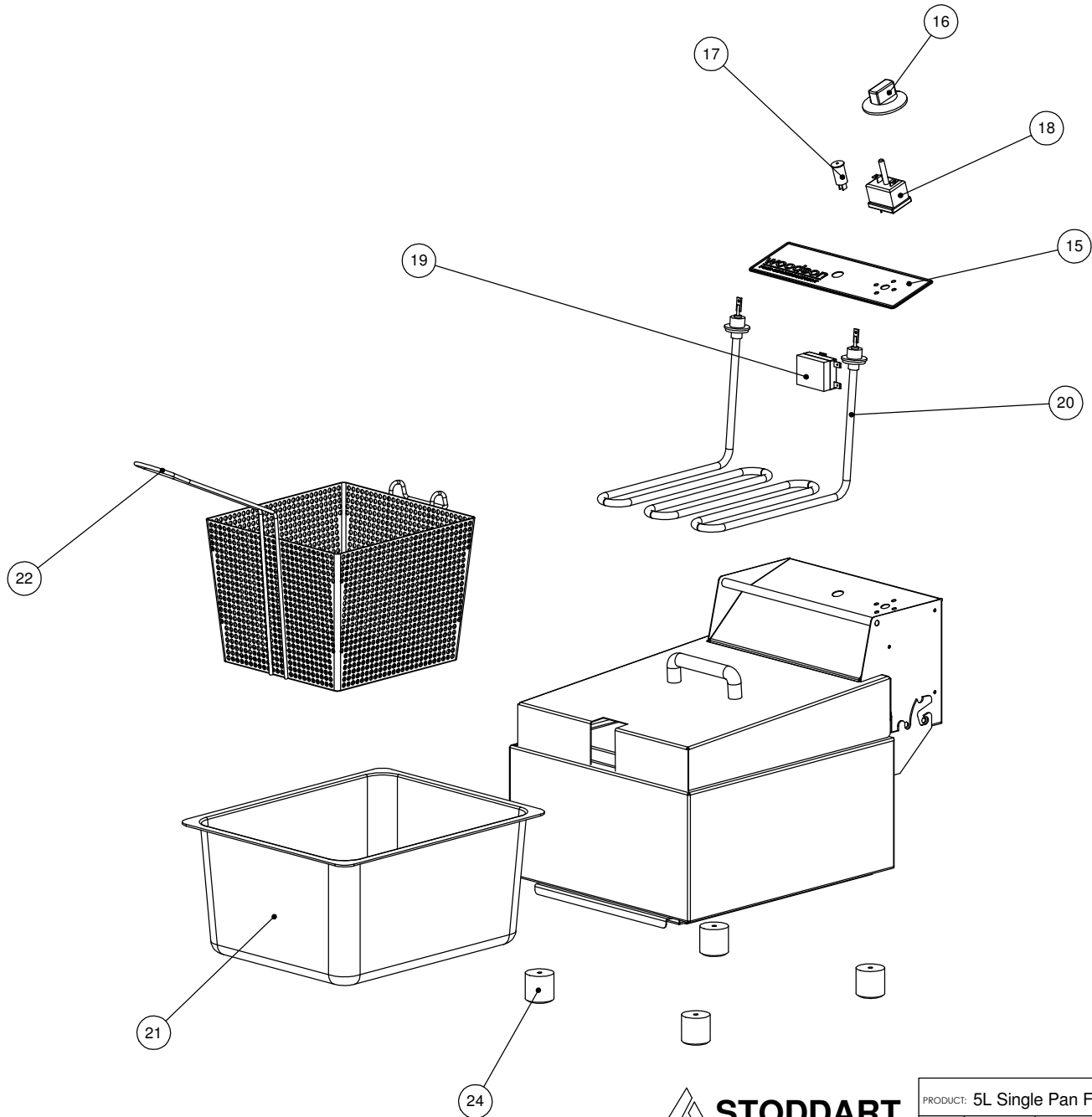


ITEM NO.	PART NUMBER	DESCRIPTION	QTY.
15	CMGE-0383	Decal Fryer 230 x 79	1
16	CMEL-0698	Thermostat Knob-Blank	1
17	CMEL-0540	Indicator Light	1
18	CMEL-0334	Thermostat 205deg	1
19	CMEL-0335	Thermal Overload 238deg	1
20	CMEL-0344	2400w Element	1
21	SPPO-12150	1/2 150mm Deep Pan	1
22	CMGE-0382	Basket Woodson Fryer	1
24	CMGE-0276	32x32 Foot w/Washer	4



Press:	Programmed by:	Date:	Punch:	Die:
--------	----------------	-------	--------	------

STODDART
METAL FABRICATORS
TOM STODDART Pty Ltd ACN 009 690 251
215 Jackson Rd Sunnybank Hills Qld 4109
PO Box 420 Sunnybank Qld 4109
Phone (617) 3345 5011 Fax (617) 3344 1000
Email sunnybank@stoddart.com.au
Quality in stainless steel

PRODUCT: 5L Single Pan Fryer				PART No: WFRS50-A001	
DRAWN	N Wooler	SIGNATURE	DATE	UNLESS OTHERWISE SPECIFIED: DIMENSIONS ARE IN MILLIMETERS	
APPV'D			22/04/2004	DESCRIPTION: Spare Parts	
			MATERIAL: 0.9 430 B/A	REVISION	
			THICKNESS: FINISH: B/A	DWG No: WFRS50-D001	
				A	
DO NOT SCALE DRAWING			This drawing remains the property of Tom Stoddart Pty Ltd & cannot be reproduced without prior permission.		
			A3	Sheet 3 of 20	