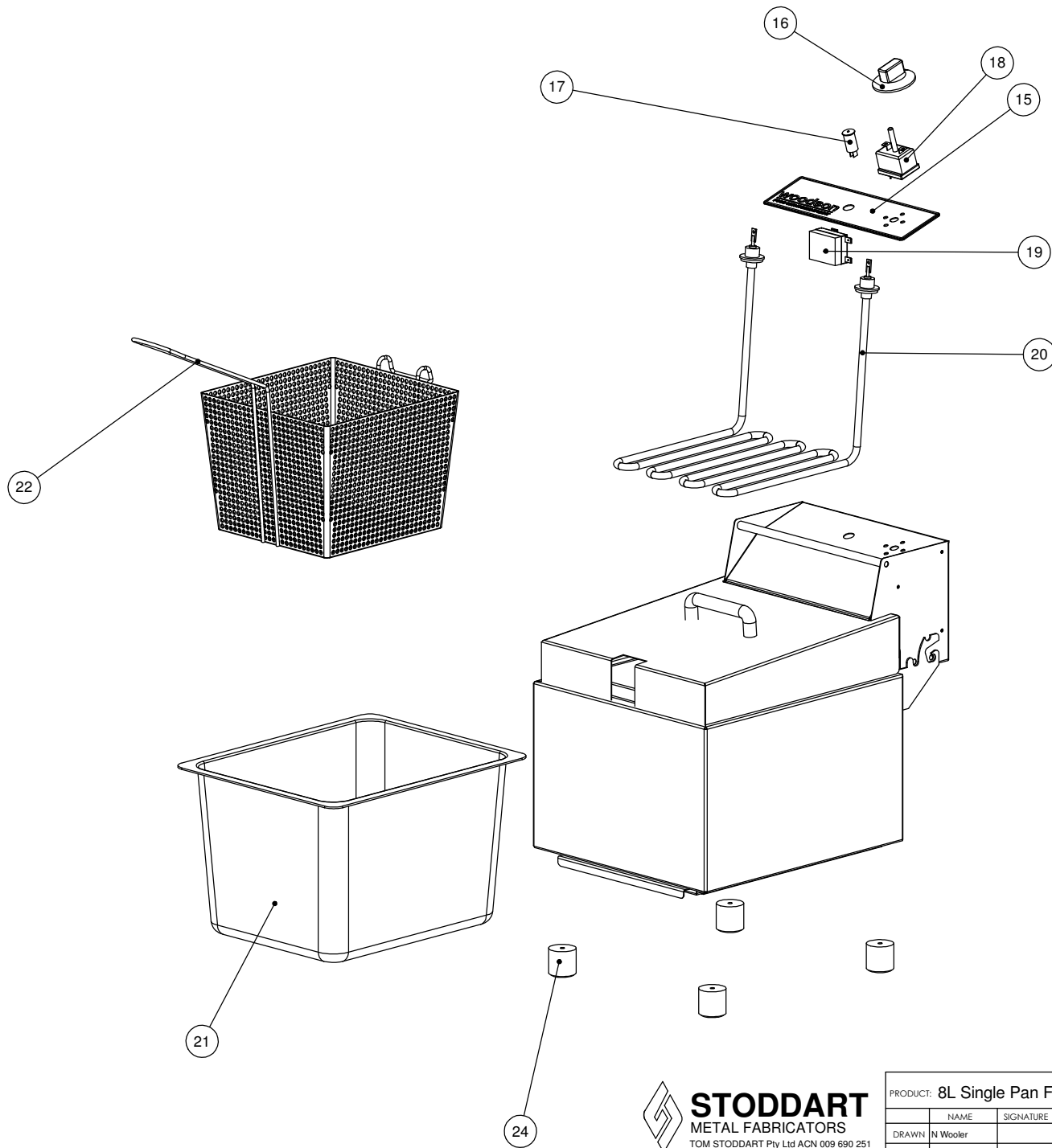


ITEM NO.	PART NUMBER	DESCRIPTION	QTY.
2	WFRS80-P002	Back Panel	1
15	CMGE-0383	Decal Fryer 230 x 79	1
16	CMEL-0698	Thermostat Knob-Blank	1
17	CMEL-0540	Indicator Light	1
18	CMEL-0334	Thermostat 205deg	1
19	CMEL-0335	Thermal Overload 238deg	1
20	CMEL-0351	Element Fryer 8L 3200w	1
21	SPPO-12200	1/2 200mm Deep Pan	1
22	CMGE-0382	Basket Woodson Fryer	1
24	CMGE-0276	32x32 Foot w/Washer	4



Press:	Programmed by:	Date:	Punch:	Die:
--------	----------------	-------	--------	------

**STODDART**  
**METAL FABRICATORS**  
TOM STODDART Pty Ltd ACN 009 690 251  
215 Jackson Rd Sunnybank Hills Qld 4109  
PO Box 420 Sunnybank Qld 4109  
Phone (617) 3345 5011 Fax (617) 3344 1000  
Email sunnybank@stoddart.com.au  
*Quality in stainless steel*

PRODUCT: 8L Single Pan Fryer				PART No: <b>WFRS80-A001</b>	
DRAWN	N Wooler	SIGNATURE	DATE	UNLESS OTHERWISE SPECIFIED: DIMENSIONS ARE IN MILLIMETERS	
APPV'D				MATERIAL: 0.9 430 B/A	
			THICKNESS:		REVISION
			FINISH: B/A		<b>A</b>
DO NOT SCALE DRAWING				This drawing remains the property of Tom Stoddart Pty Ltd & cannot be reproduced without prior permission.	
				A3	Sheet 3 of 19