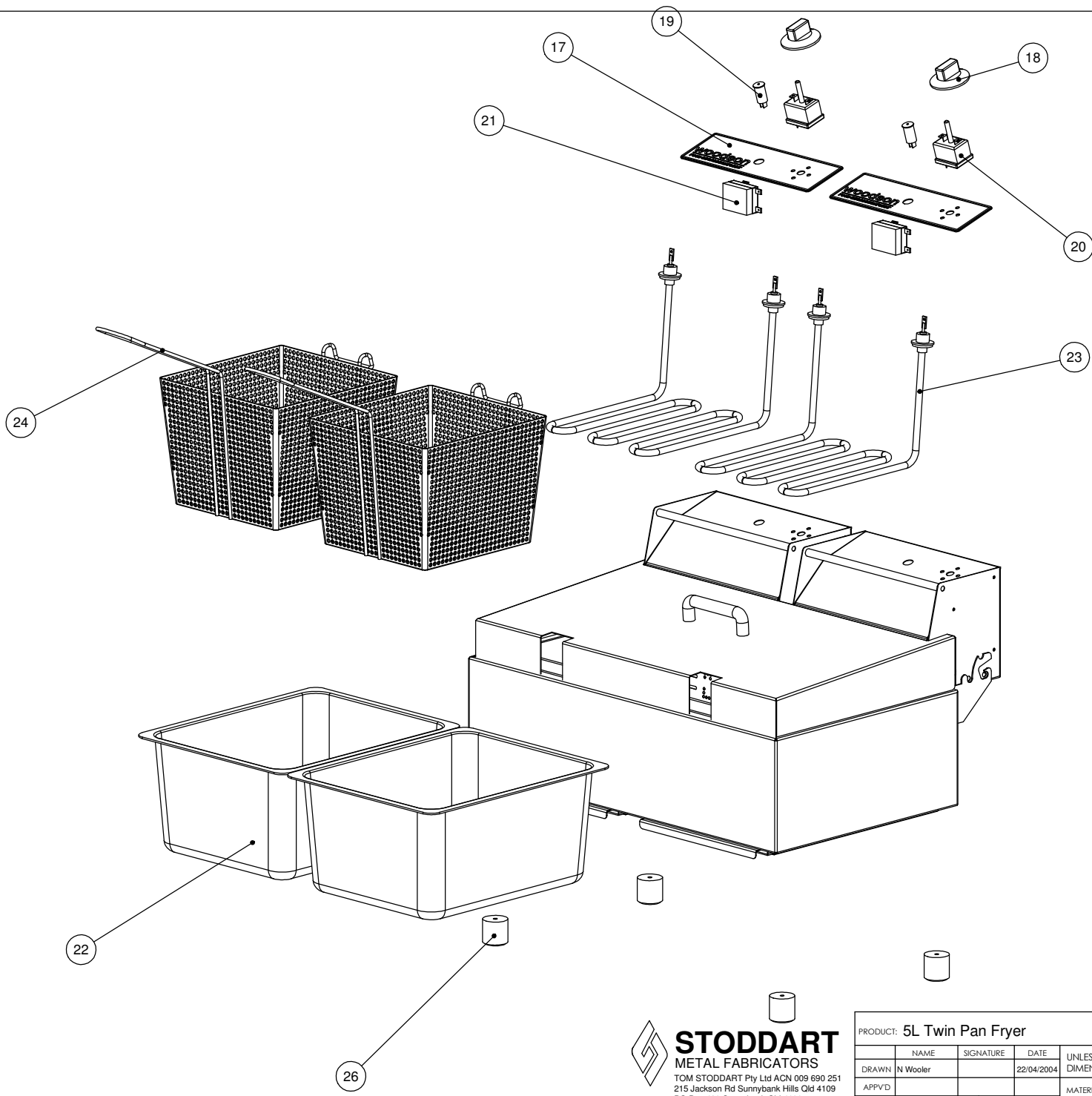


ITEM NO.	PART NUMBER	DESCRIPTION	QTY.
17	CMGE-0383	Decal Fryer 230 x 79	2
18	CMEL-0698	Thermostat Knob-Blank	2
19	CMEL-0540	Indicator Light	2
20	CMEL-0334	Thermostat 205deg	2
21	CMEL-0335	Thermal Overload 238deg	2
22	SPPO-12150	1/2 150mm Deep Pan	2
23	CMEL-0344	Element Fryer 5L 2400w	2
24	CMGE-0382	Basket Woodson Fryer	2
26	CMGE-0276	32x32 Foot w/Washer	4



Press:	Programmed by:	Date:	Punch:	Die:
--------	----------------	-------	--------	------

PRODUCT: 5L Twin Pan Fryer				PART No: WFRT50-A001	
DRAWN	N Wooler	SIGNATURE	DATE	UNLESS OTHERWISE SPECIFIED: DIMENSIONS ARE IN MILLIMETERS	
APP'VD			22/04/2004	DESCRIPTION: Spare Parts	
			MATERIAL: 0.9 430 B/A	REVISION	
			THICKNESS: FINISH: B/A	DWG No: WFRT50-D001	
DO NOT SCALE DRAWING			This drawing remains the property of Tom Stoddart Pty Ltd & cannot be reproduced without prior permission.		A3
				Sheet 3 of 20	


STODDART
 METAL FABRICATORS
 TOM STODDART Pty Ltd ACN 009 690 251
 215 Jackson Rd Sunnybank Hills Qld 4109
 PO Box 420 Sunnybank Qld 4109
 Phone (617) 3345 5011 Fax (617) 3344 1000
 Email sunnybank@stoddart.com.au
Quality in stainless steel