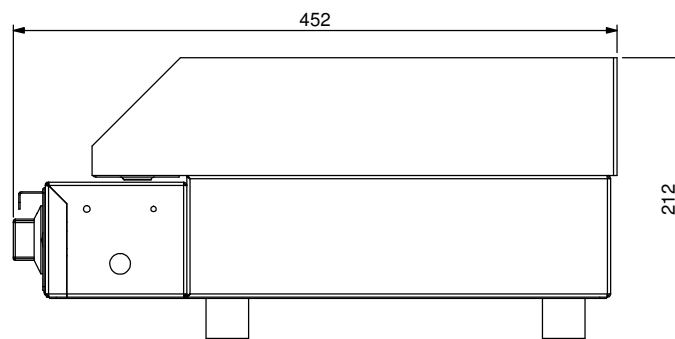
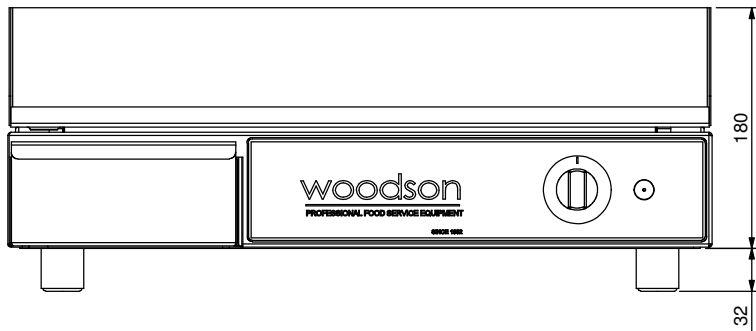
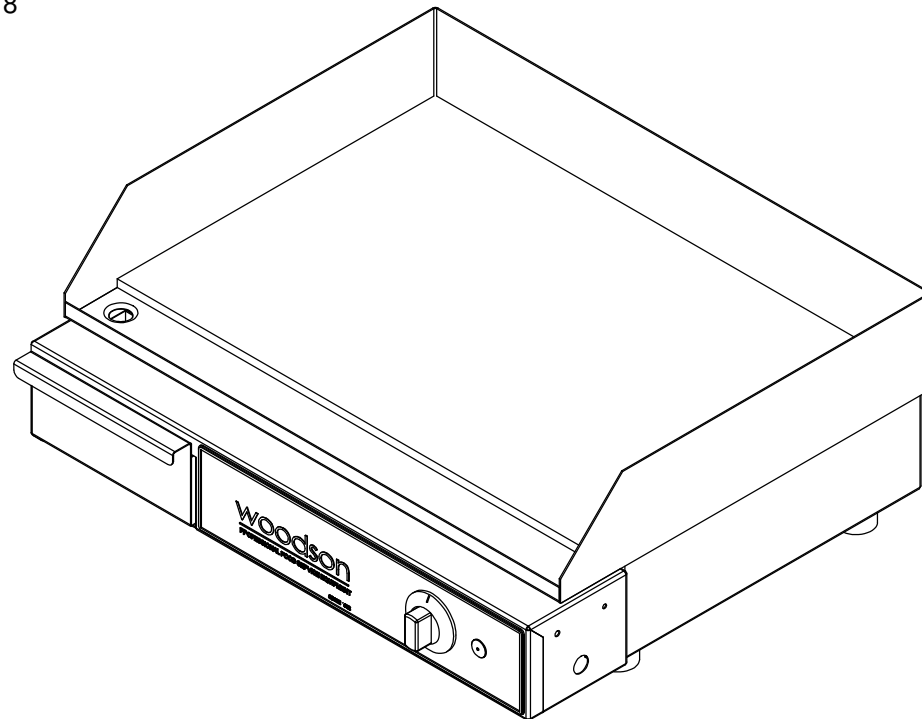
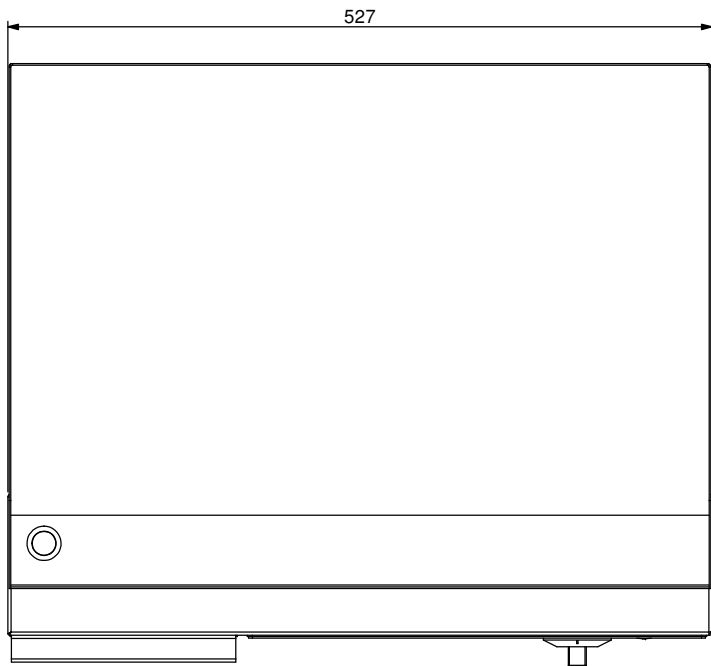


**Product Details**

Electrical Connection : Supply single phase  
 : 240v, 10amps, 2400w, 10amp plug & lead supplied  
 : 1 element @ 2400w (240V)  
 Unit Controls : Knob for 285deg thermostat with indicator light  
 Plate size : 523 x 337 x 8



Press:	Programmed by:	Date:	Punch:	Die:
--------	----------------	-------	--------	------

**STODDART**  
 METAL FABRICATORS  
 TOM STODDART Pty Ltd ACN 009 690 251  
 215 Jackson Rd Sunnybank Hills Qld 4109  
 PO Box 420 Sunnybank Qld 4109  
 Phone (617) 3345 5011 Fax (617) 3344 1000  
 Email sunnybank@stoddart.com.au  
*Quality in stainless steel*

PRODUCT: Griddle				PART No: <b>WGDA50-A001</b>	
NAME	SIGNATURE	DATE	UNLESS OTHERWISE SPECIFIED: DIMENSIONS ARE IN MILLIMETERS	DESCRIPTION: Assembly	
DRAWN N Wooler		15/03/2006			
APPV'D			MATERIAL:	DWG No: <b>WGDA50-D001</b>	
			THICKNESS:	REVISION	
			FINISH:	<b>A</b>	
DO NOT SCALE DRAWING			This drawing remains the property of Tom Stoddart Pty Ltd & cannot be reproduced without prior permission.		