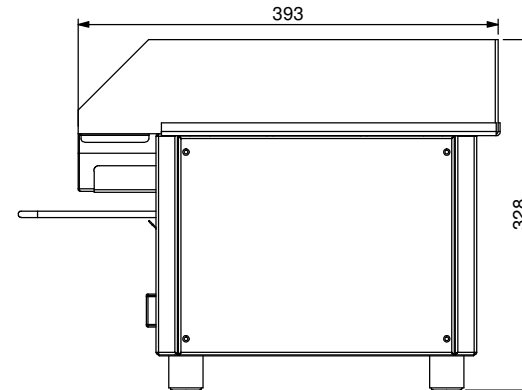
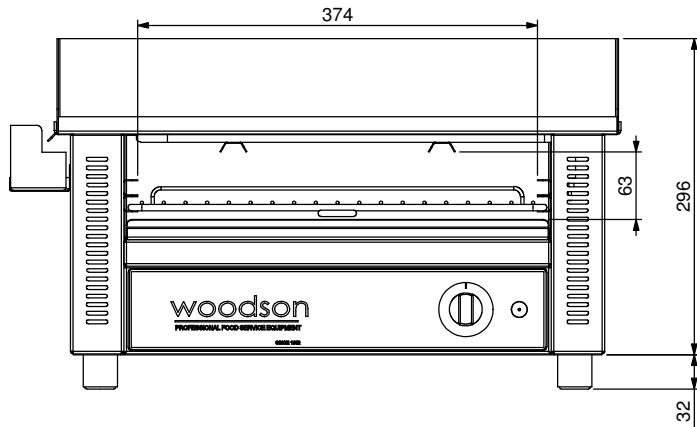
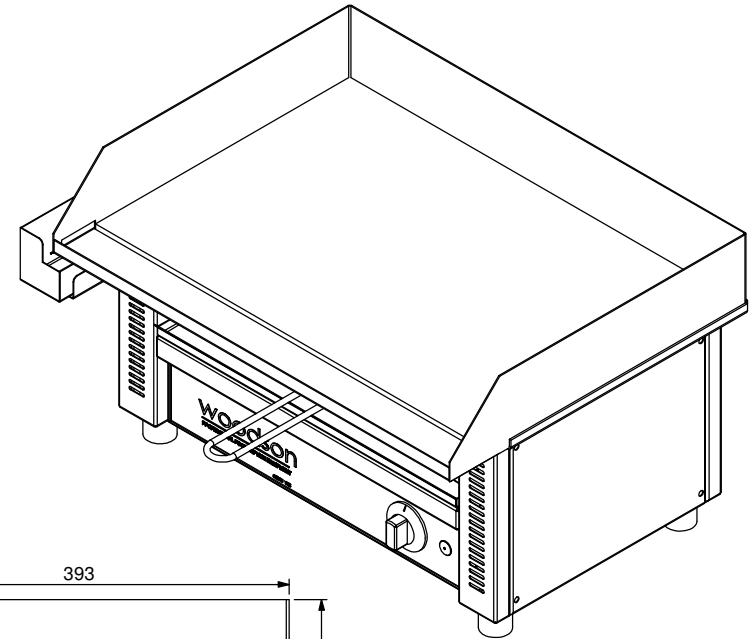


Product Details

Electrical Connection : Supply single phase
 : 240v, 10amps, 2400w, 10amp plug & lead supplied
 : 1 elements @ 2400w (240V)
 Unit Controls : Knob for 285deg thermostat with indicator light
 Plate Size : 523 x 337 x 6



| | | | | |
|--------|----------------|-------|--------|------|
| Press: | Programmed by: | Date: | Punch: | Die: |
|--------|----------------|-------|--------|------|

STODDART
 METAL FABRICATORS
 TOM STODDART Pty Ltd ACN 009 690 251
 215 Jackson Rd Sunnybank Hills Qld 4109
 PO Box 420 Sunnybank Qld 4109
 Phone (617) 3345 5011 Fax (617) 3344 1000
 Email sunnybank@stoddart.com.au
Quality in stainless steel

| | | | | | |
|--------------------------|----------|--|------------|--|---------------|
| PRODUCT: Griddle Toaster | | | | PART No: WGDT60-A001 | |
| DRAWN | N Wooler | SIGNATURE | DATE | UNLESS OTHERWISE SPECIFIED: DIMENSIONS ARE IN MILLIMETERS | |
| APPVD | | | 28/03/2006 | DESCRIPTION: Assembly | |
| | | | MATERIAL: | DWG No: WGDT60-D001 | |
| | | | THICKNESS: | REVISION | |
| | | | FINISH: | A | |
| DO NOT SCALE DRAWING | | This drawing remains the property of Tom Stoddart Pty Ltd & cannot be reproduced without prior permission. | | | A3 |
| | | | | | Sheet 1 of 24 |