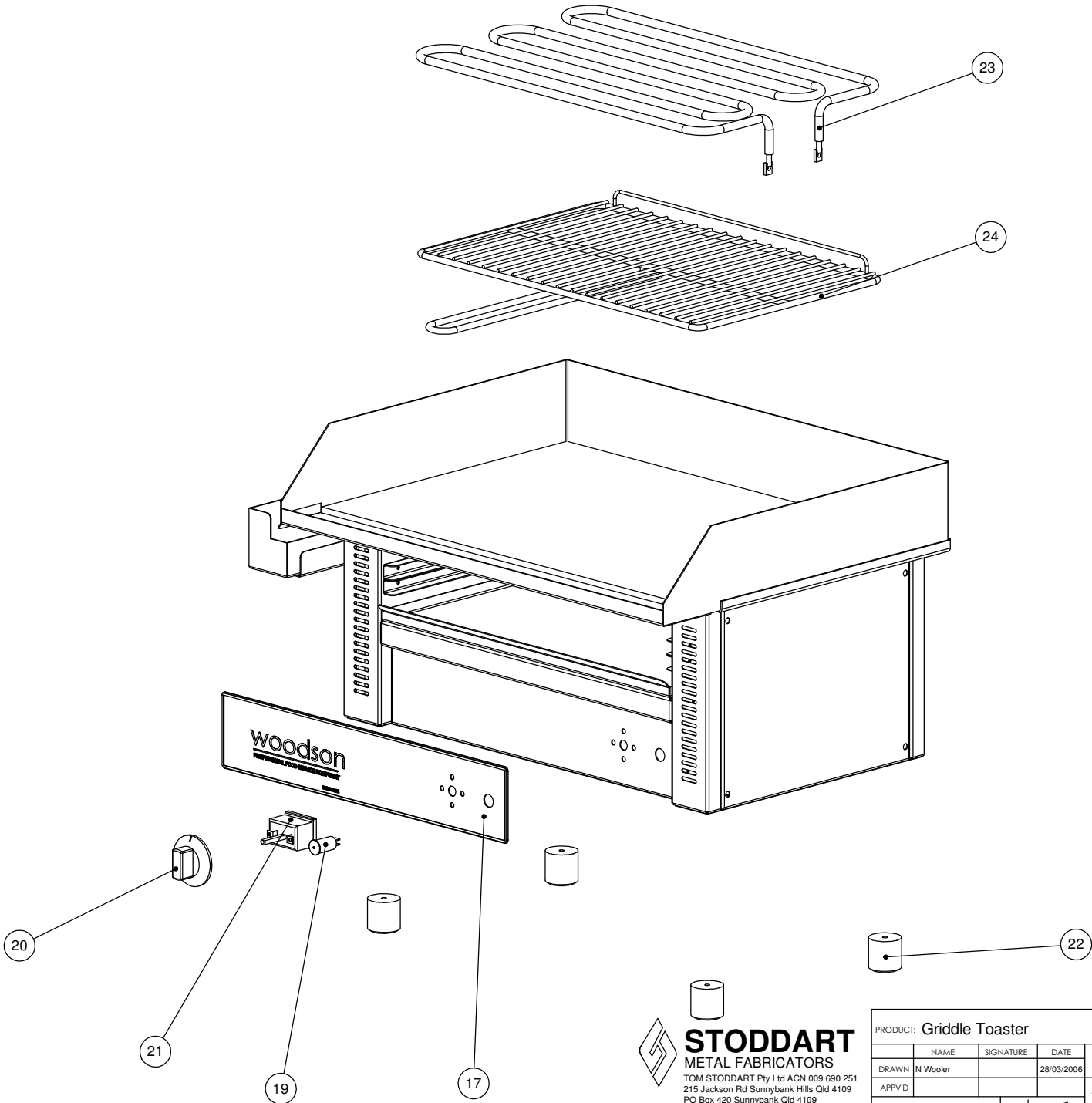


| ITEM NO. | PART NUMBER | DESCRIPTION           | Spare Parts/QTY. |
|----------|-------------|-----------------------|------------------|
| 17       | CMGE-0388   | Griddle Toaster Decal | 1                |
| 19       | CMEL-0540   | Indicator Light       | 1                |
| 20       | CMEL-0698   | Thermostat Knob-Blank | 1                |
| 21       | CMEL-0336   | Thermostat 285deg     | 1                |
| 22       | CMGE-0276   | 32x32 Foot w/Washer   | 4                |
| 23       | CMEL-0352   | Griddle 2400w Element | 1                |
| 24       | CMGE-0289   | Griddle Toaster Shelf | 1                |
| 25       | WGDT60-P050 | Stud Template         | 1                |




**STODDART**  
 METAL FABRICATORS  
 TOM STODDART Pty Ltd ACN 009 690 251  
 215 Jackson Rd Sunnybank Hills Qld 4109  
 PO Box 420 Sunnybank Qld 4109  
 Phone (617) 3345 5011 Fax (617) 3344 1000  
 Email sunnybank@stoddart.com.au  
*Quality in stainless steel*

| Press:   |           | Programmed by:   |            | Date:                       | Punch: | Die:       |  |  |                          |  |  |
|--|-----------|--|------------|-----------------------------|--------|------------|--|--|--------------------------|--|--|
| PRODUCT: Griddle Toaster   |           |  |            | PART No: <b>WGDT60-A001</b> |        |            |  |  |                          |  |  |
| <table border="1"> <tr> <th>NAME</th> <th>SIGNATURE</th> <th>DATE</th> </tr> <tr> <td>N Wooler</td> <td></td> <td>28/03/2006</td> </tr> </table> | NAME      | SIGNATURE  | DATE       | N Wooler                    |        | 28/03/2006 | UNLESS OTHERWISE SPECIFIED:<br>DIMENSIONS ARE IN MILLIMETERS |  | DESCRIPTION: Spare Parts |  |  |
| NAME   | SIGNATURE | DATE   |            |                             |        |            |  |  |                          |  |  |
| N Wooler   |           | 28/03/2006   |            |                             |        |            |  |  |                          |  |  |
| APPVD  |           |  | MATERIAL:  | REVISION                    |        |            |  |  |                          |  |  |
|  |           |  | THICKNESS: | DWG No: <b>WGDT60-D001</b>  |        | <b>A</b>   |  |  |                          |  |  |
|  |           |  | FINISH:    |                             |        |            |  |  |                          |  |  |
| DO NOT SCALE DRAWING   |           | This drawing remains the property of Tom Stoddart Pty Ltd & cannot be reproduced without prior permission. |            |                             |        | A3         | Sheet 3 of 24  |  |                          |  |  |