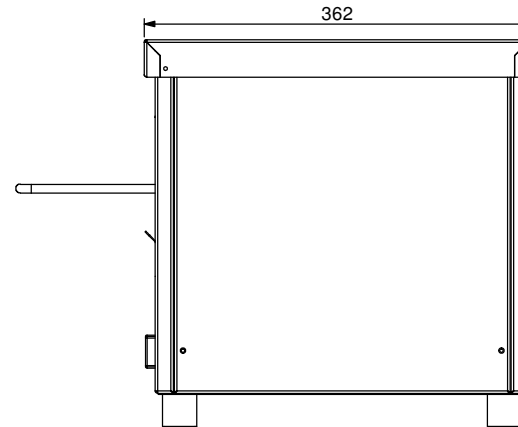
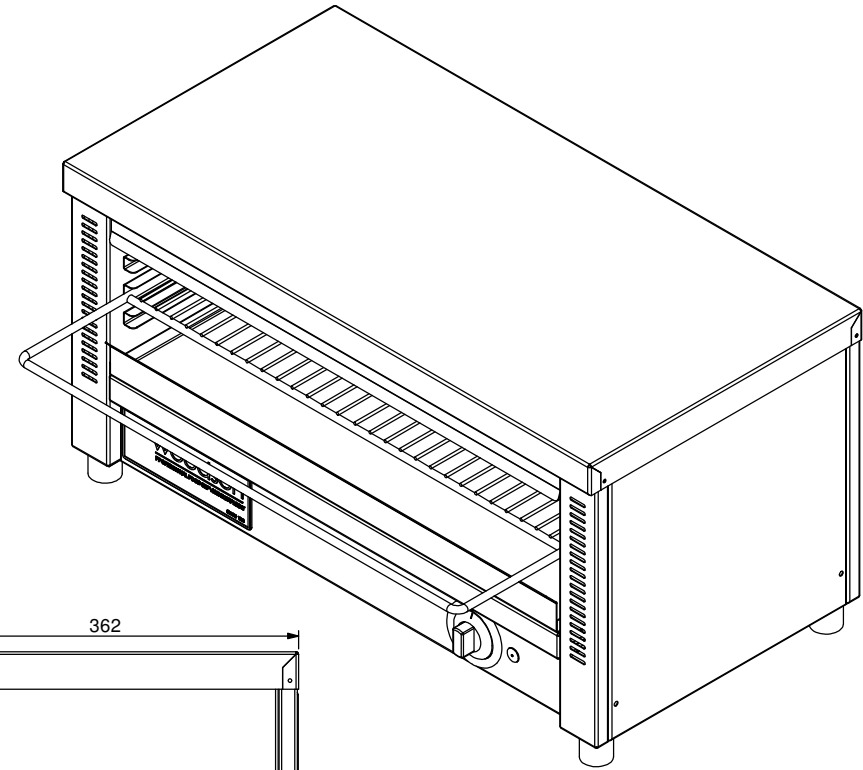


Product Details

Electrical Connection : Supply 15amp single phase
 : 240v, 15amps, 3200w, 15amp plug & lead supplied
 : 1 element @ 3200w (240V)
 Unit Controls : Knob for simmerstat with indicator light



STODDART
 METAL FABRICATORS
 TOM STODDART Pty Ltd ACN 009 690 251
 215 Jackson Rd Sunnybank Hills Qld 4109
 PO Box 420 Sunnybank Qld 4109
 Phone (617) 3345 5011 Fax (617) 3344 1000
 Email sunnybank@stoddart.com.au
Quality in stainless steel

Press:		Programmed by:		Date:	Punch:	Die:	
PRODUCT: Salamander				PART No: WGLS30-A001			
DRAWN	N Wooler	SIGNATURE	DATE	UNLESS OTHERWISE SPECIFIED: DIMENSIONS ARE IN MILLIMETERS		DESCRIPTION: Assembly	
APPVD			24/03/2006	MATERIAL:		REVISION	
			THICKNESS:		DWG No: WGLS30-D001		
			FINISH:		A		
DO NOT SCALE DRAWING		This drawing remains the property of Tom Stoddart Pty Ltd & cannot be reproduced without prior permission.				A3	Sheet 1 of 19