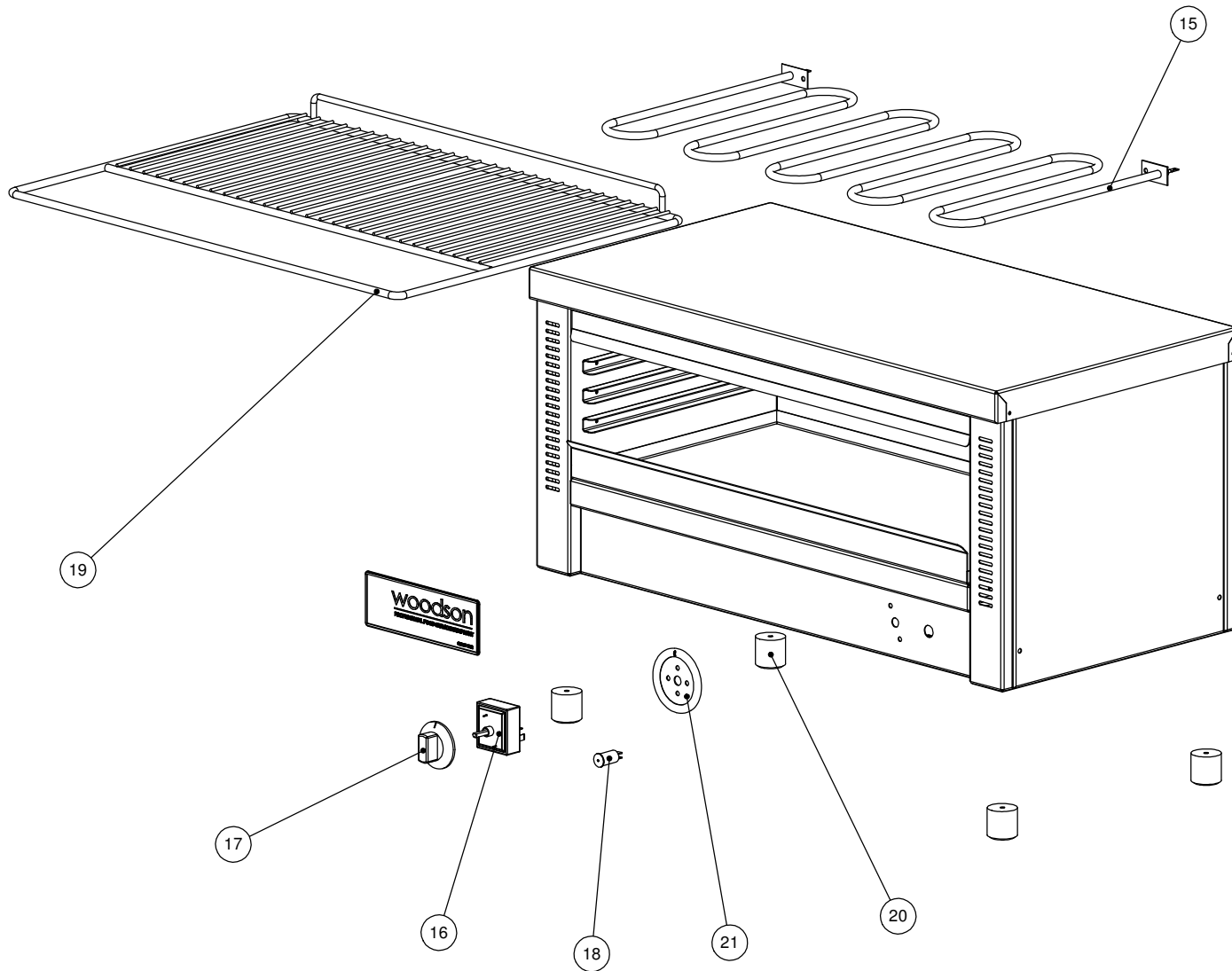


ITEM NO.	PART NUMBER	DESCRIPTION	Spare Parts/QTY.
15	CMEL-0343	Salamander Element 3200w	1
16	CMEL-0285	Energy Regulator 13amp	1
17	CMEL-0286	Energy Regulator Knob	1
18	CMEL-0540	Indicator Light	1
19	CMGE-0286	Salamander Wire Shelf	1
20	CMGE-0276	32x32 Foot w/Washer	4
21	CMEL-0347	Thermostat Bezel	1



Press:	Programmed by:	Date:	Punch:	Die:
--------	----------------	-------	--------	------


**STODDART**  
**METAL FABRICATORS**  
 TOM STODDART Pty Ltd ACN 009 690 251  
 215 Jackson Rd Sunnybank Hills Qld 4109  
 PO Box 420 Sunnybank Qld 4109  
 Phone (617) 3345 5011 Fax (617) 3344 1000  
 Email sunnybank@stoddart.com.au  
*Quality in stainless steel*

PRODUCT: Salamander				PART No: <b>WGLS30-A001</b>	
DRAWN	N Wooler	SIGNATURE	DATE	UNLESS OTHERWISE SPECIFIED: DIMENSIONS ARE IN MILLIMETERS	
APPVD			24/03/2006	DESCRIPTION: Spare Parts	
			MATERIAL:	DWG No: <b>WGLS30-D001</b>	
			THICKNESS:	REVISION	
			FINISH:	<b>A</b>	
DO NOT SCALE DRAWING		This drawing remains the property of Tom Stoddart Pty Ltd & cannot be reproduced without prior permission.			A3
					Sheet 3 of 19