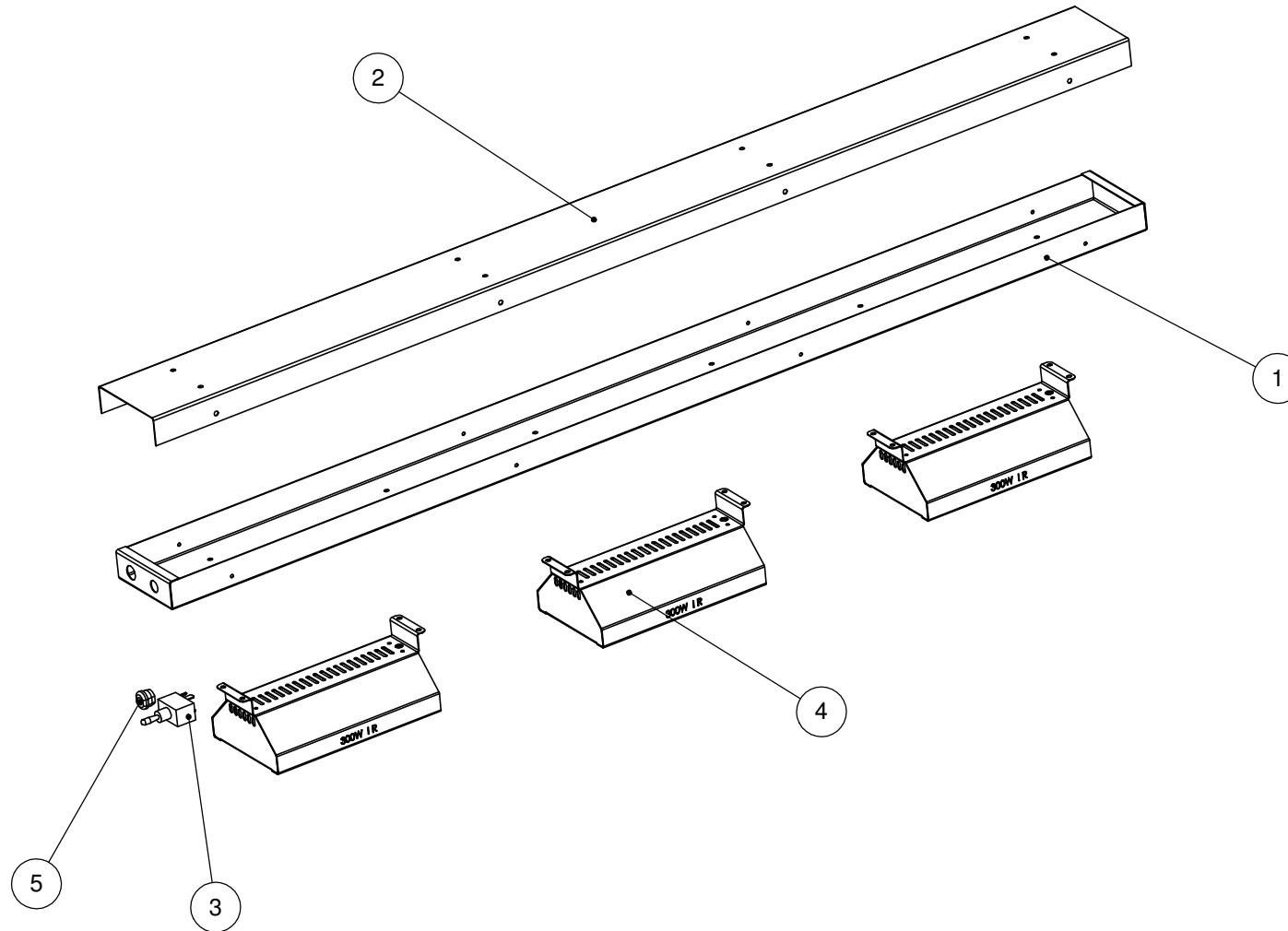


ITEM NO.	PART NUMBER	DESCRIPTION	Exploded View/QTY.
1	WHLA1200-P001	Base	1
2	WHLA1200-P002	Base Cover	1
3	CMEL-0403	Chily 7021 Toggle Switch	1
4	WHLU1-A001	Woodson Heat Lamp Unit 300Watt	3
5	CMEL.0075	Cord Grip 1.5mm	1



Press:	Programmed by:	Date:



STODDART
METAL FABRICATORS
TOM STODDART Pty Ltd ACN 009 690 251
215 Jackson Rd Sunnybank Hills Qld 4109
PO Box 420 Sunnybank Qld 4109
Phone (617) 3345 5011 Fax (617) 3344 1000
Email sunnybank@stoddart.com.au
Quality in stainless steel

PRODUCT: WHLA1200 Heat Lamp Assembly				PART No: WHLA1200-A001	
NAME	SIGNATURE	DATE	UNLESS OTHERWISE SPECIFIED: DIMENSIONS ARE IN MILLIMETERS	DESCRIPTION: 1200 long	
DRAWN N Wooler		14/10/2004			
APPV'D			MATERIAL:	DWG No: WHLA1200-D001	
			THICKNESS:	REVISION	
			FINISH:	A	
DO NOT SCALE DRAWING		This drawing remains the property of Tom Stoddart Pty Ltd & cannot be reproduced without prior permission.			Sheet 2 of 5