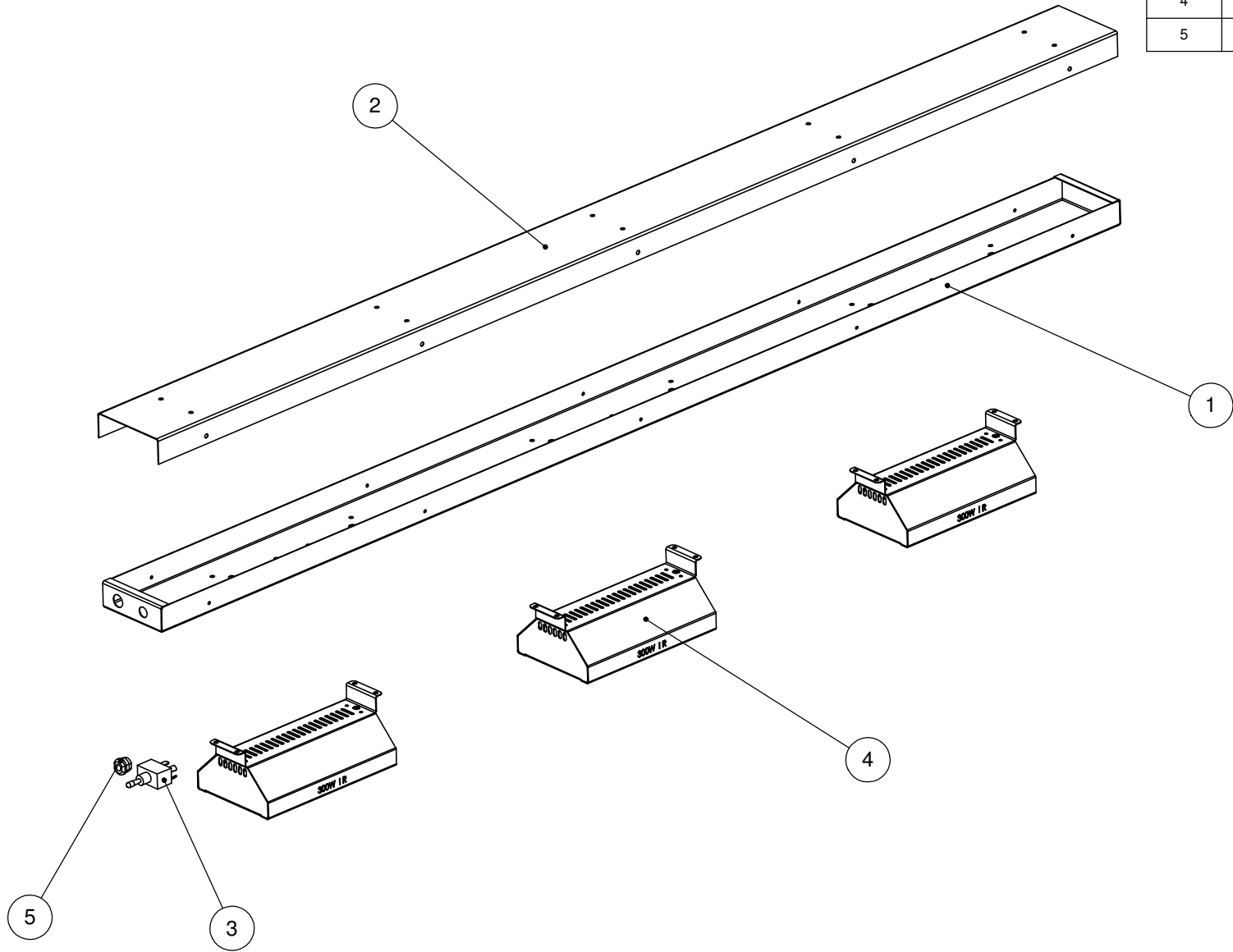


ITEM NO.	PART NUMBER	DESCRIPTION	Exploded View/ QTY.
1	WHLA1500-P001	Base	1
2	WHLA1500-P002	Base Cover	1
3	CMEL-0403	Chily 7021 Toggle Switch	1
4	WHLU1-A001	Woodson Heat Lamp Unit 300Watt	3
5	CMEL.0075	Cord Grip 1.5mm	1



Press:	Programmed by:	Date:

**STODDART**  
**METAL FABRICATORS**  
TOM STODDART Pty Ltd ACN 009 690 251  
215 Jackson Rd Sunnybank Hills Qld 4109  
PO Box 420 Sunnybank Qld 4109  
Phone (617) 3345 5011 Fax (617) 3344 1000  
Email sunnybank@stoddart.com.au  
*Quality in stainless steel*

PRODUCT: WHLA1500 Heat Lamp Assembly			
NAME	SIGNATURE	DATE	UNLESS OTHERWISE SPECIFIED: DIMENSIONS ARE IN MILLIMETERS
DRAWN		15/10/2004	
APPVD			MATERIAL:
			THICKNESS:
			FINISH:

PART No: <b>WHLA1500-A001</b>	REVISION
DESCRIPTION: 1500 long	<b>A</b>
DWG No: WHLA1500-D001	