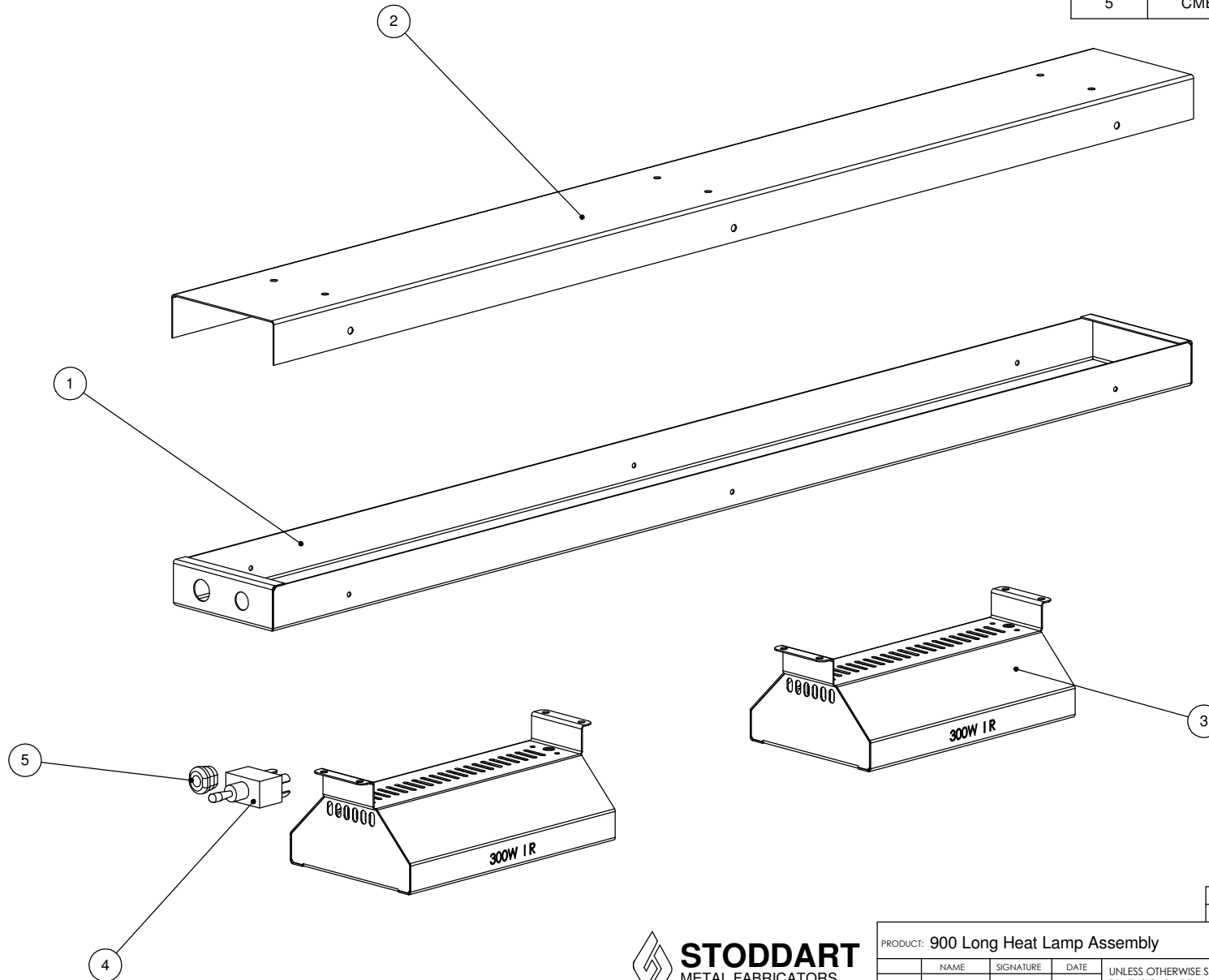


ITEM NO.	PART NUMBER	DESCRIPTION	Exploded View/QTY.
1	WHLA900-P001	Base	1
2	WHLA900-P002	Base Cover	1
3	WHLU1-A001	Woodson Heat Lamp Unit 300Watt	2
4	CMEL-0403	Chily 7021 Toggle Switch	1
5	CMEL.0075	Cord Grip 1.5mm	1



Press:	Programmed by:	Date:	Punch:	Die:
--------	----------------	-------	--------	------

PRODUCT: 900 Long Heat Lamp Assembly				PART No: <b>WHLA900-A001</b>	
DRAWN	N Wooler	SIGNATURE	DATE	UNLESS OTHERWISE SPECIFIED: DIMENSIONS ARE IN MILLIMETERS	
APPVD			30/01/2006	DESCRIPTION: Exploded View	
			MATERIAL:	REVISION	
			THICKNESS:	DWG No: <b>WHLA900-D001</b>	
			FINISH:	<b>A</b>	
DO NOT SCALE DRAWING		This drawing remains the property of Tom Stoddart Pty Ltd & cannot be reproduced without prior permission.			A3
					Sheet 2 of 5


**STODDART**  
**METAL FABRICATORS**  
 TOM STODDART Pty Ltd ACN 009 690 251  
 215 Jackson Rd Sunnybank Hills Qld 4109  
 PO Box 420 Sunnybank Qld 4109  
 Phone (617) 3345 5011 Fax (617) 3344 1000  
 Email sunnybank@stoddart.com.au  
*Quality in stainless steel*