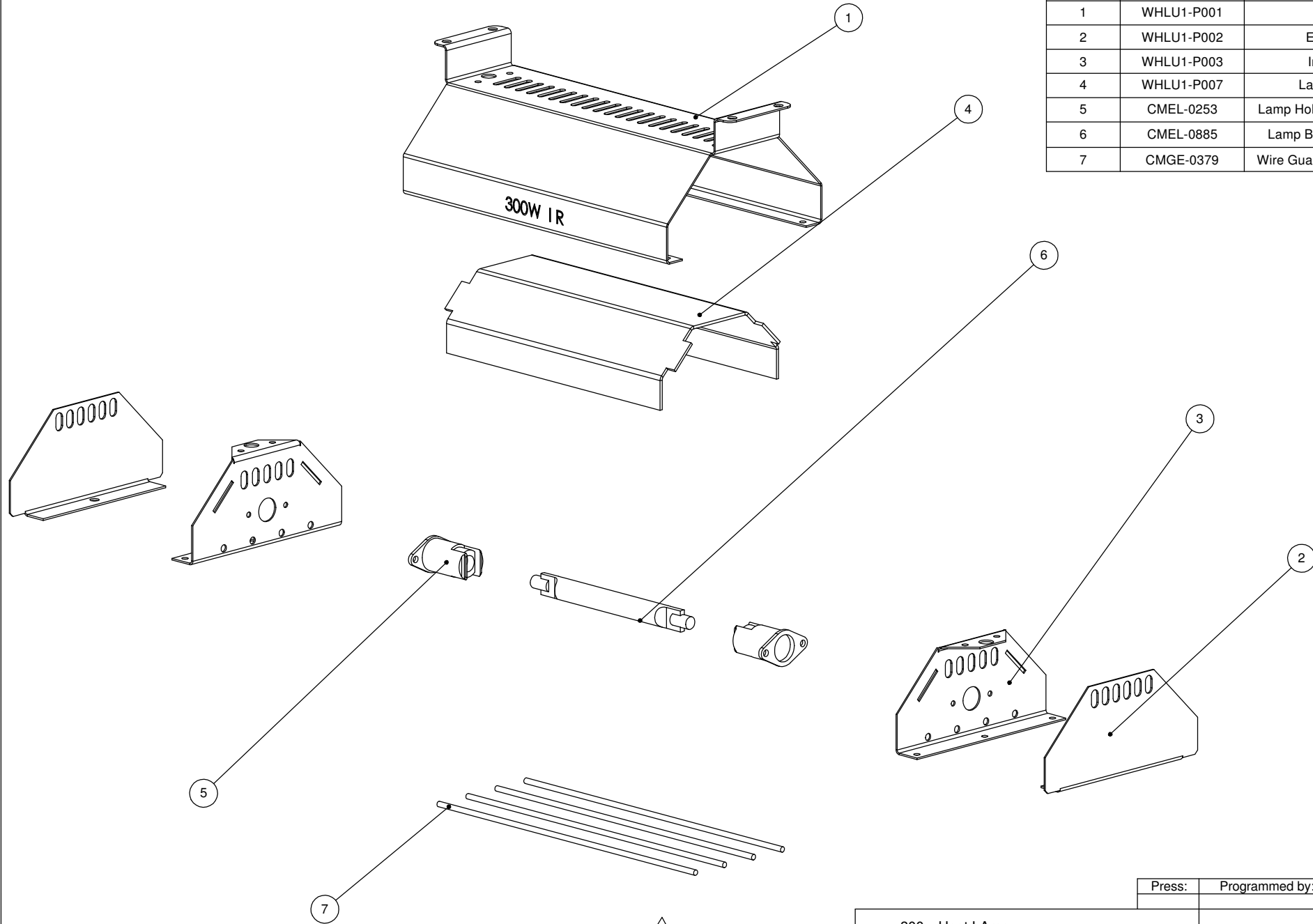


ITEM NO.	PART NUMBER	DESCRIPTION	Exploded View/QTY.
1	WHLU1-P001	Body	1
2	WHLU1-P002	External End	2
3	WHLU1-P003	Internal End	2
4	WHLU1-P007	Large Reflector	1
5	CMEL-0253	Lamp Holder Quartz Halogen	2
6	CMEL-0885	Lamp Bulb 300w Infra-red	1
7	CMGE-0379	Wire Guard s/s Rod 195x3.18	4



Press:	Programmed by:	Date:	Punch:	Die:
--------	----------------	-------	--------	------

PRODUCT: 300w Heat LAMP				PART No: WHLU1-A001		
NAME	SIGNATURE	DATE	UNLESS OTHERWISE SPECIFIED: DIMENSIONS ARE IN MILLIMETERS	DESCRIPTION: Exploded View		
DRAWN	N Wooler	30/01/2006				
APPVD			MATERIAL:	DWG No: WHLU1-D001		
			THICKNESS:	REVISION		
			FINISH:	A		
DO NOT SCALE DRAWING		This drawing remains the property of Tom Stoddart Pty Ltd & cannot be reproduced without prior permission.			A3	Sheet 2 of 8


STODDART
METAL FABRICATORS
 TOM STODDART Pty Ltd ACN 009 690 251
 215 Jackson Rd Sunnybank Hills Qld 4109
 PO Box 420 Sunnybank Qld 4109
 Phone (617) 3345 5011 Fax (617) 3344 1000
 Email sunnybank@stoddart.com.au
Quality in stainless steel