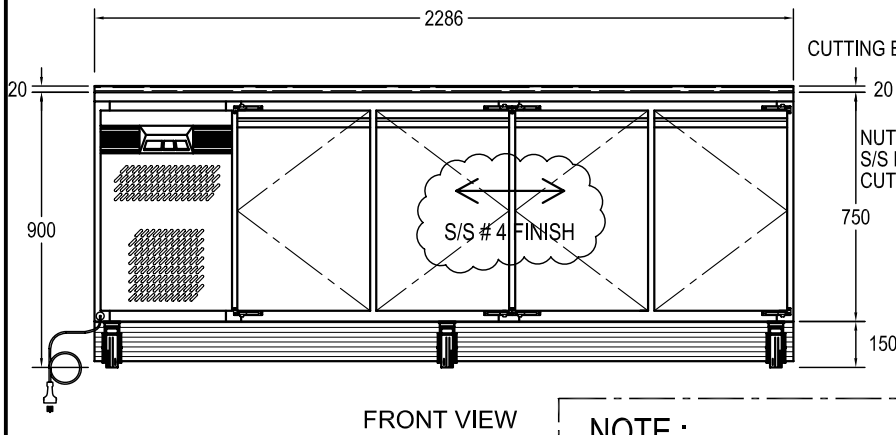
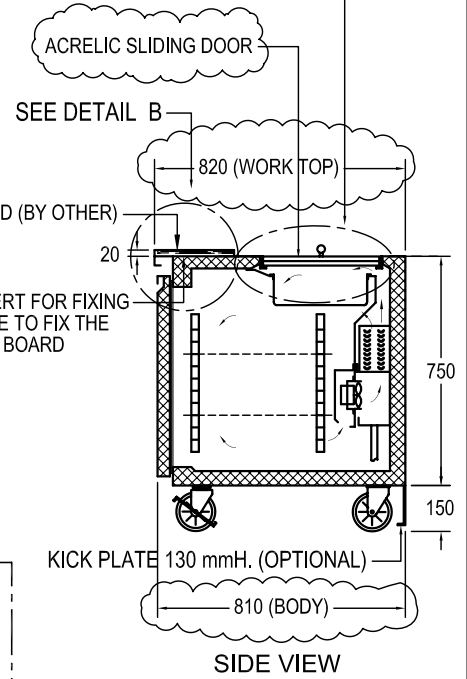
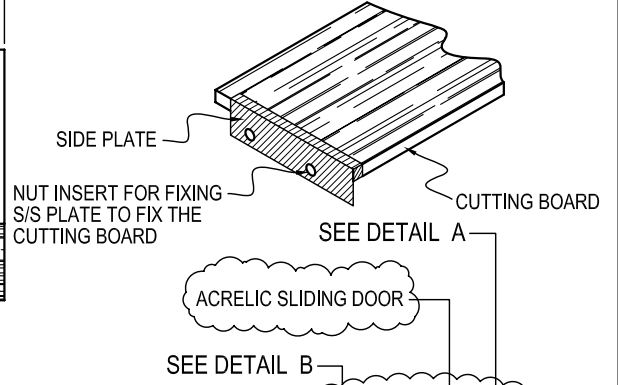
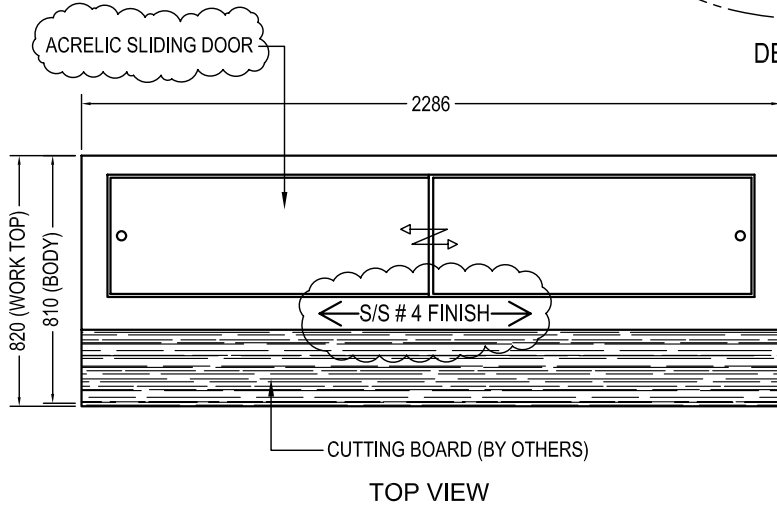
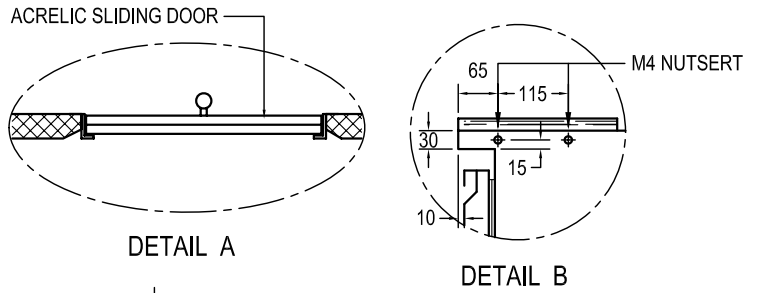


Optional

- Cutting board
- Crumb tray with S/S wire shelf



NOTE :

- WORK TOP DEPTH TO 820 mm.
- BODY DEPTH TO 810 mm.

TECHNICAL DATA	Refrigerator model
a) MODEL NUMBER	WSM 2286 - L
b) DIMENSION L x D x H (Cm.)	228.6 x (82+81) x 90
c) TEMPERATURE RANGE	2 °C to 5 °C
d) REFRIGERANT	R-404a
e) COOLING CAPACITY (Btu.)	2671
f) CONDENSING UNIT (Hp.)	1/3
g) WIRE SHELVES	8 pieces
h) PAN (100 mm. Depth)	12 GN 1/3
i) POWER SUPPLY	220V - 50Hz - 1Ph

NOTE :

S/S # 4 FINISHED

↔ REFERS TO S/S GRAIN DIRECTION (HORIZONTAL)

Sandwich preparation counter

WELBILT Manufacturing(Thailand)Ltd.	UNLESS OTHERWISE NOTED	PROJECT: WOODSON	P/O NO.
	DESIGN DIMENSIONS ARE IN mm.	PRODUCT: AS ABOVE SPECIFIED	QTY.
SCALE: NTS.	DWG. NO. WSM 2286 - L	PAGE NO.	DATE: 12/10/07
SA1:	SA2:	MN1:	REVISION: F
			APPROVED:
			AA: