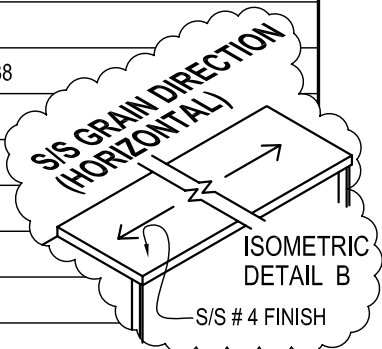


TECHNICAL DATA		Refrigerator model
a) MODEL NUMBER	NOTE : S/S # 4 FINISHED ↔ REFERS TO S/S GRAIN DIRECTION (HORIZONTAL)	WSMC 2286 - L
b) DIMENSION L x D x H (Cm.)		228.6 x (82+81) x 138
c) TEMPERATURE RANGE		2 °C to 5 °C
d) REFRIGERANT		R-404a
e) COOLING CAPACITY (Btu.)		2671
f) CONDENSING UNIT (Hp.)		1/3
g) WIRE SHELVES	NOTE : - WORK TOP DEPTH TO 820 mm. - BODY DEPTH TO 810 mm.	8 pieces
h) PAN (100 mm. Depth)		12 GN 1/3
i) POWER SUPPLY		220V - 50Hz - 1Ph



Sandwich preparation counter - curve front glass

WELBILT		UNLESS OTHERWISE NOTED		PROJECT: WOODSON		P/O NO.	
Manufacturing(Thailand)Ltd.		DESIGN DIMENSIONS ARE IN mm.		PRODUCT: AS ABOVE SPECIFIED		QTY.	
SCALE	NTS.	DWG. NO. WSMC 2286 - L	PAGE NO.	JOB NO.	ITEM:	DATE:	15/10/07
SA1:	SA2:	MN1:	MN2:	DRAWN: PS	CHECKED: PS	REVISION:	G
					FM/PP:	APPROVED:	