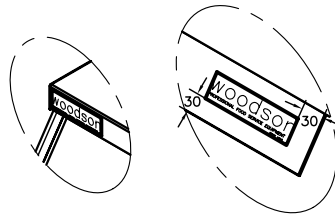
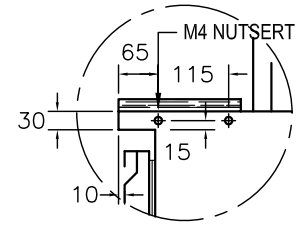


**Optional**

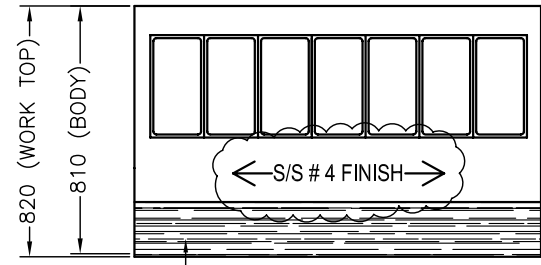
- Cutting board
- Crumb tray with S/S wire shelf



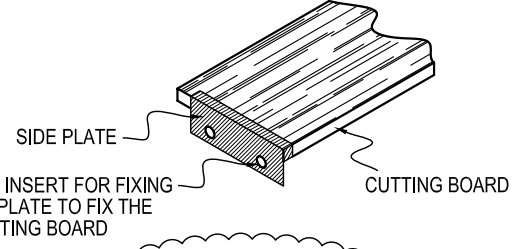
FOR SAME CURVE PROFILE AS WOODSON



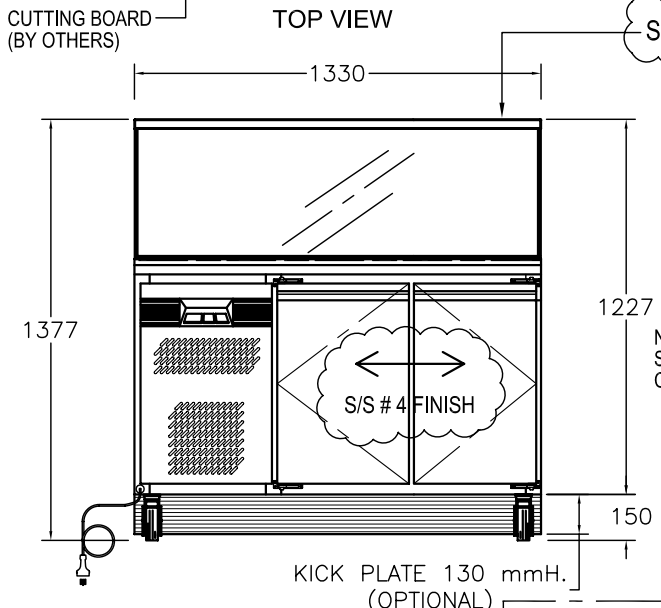
DETAIL A



TOP VIEW



NUT INSERT FOR FIXING S/S PLATE TO FIX THE CUTTING BOARD

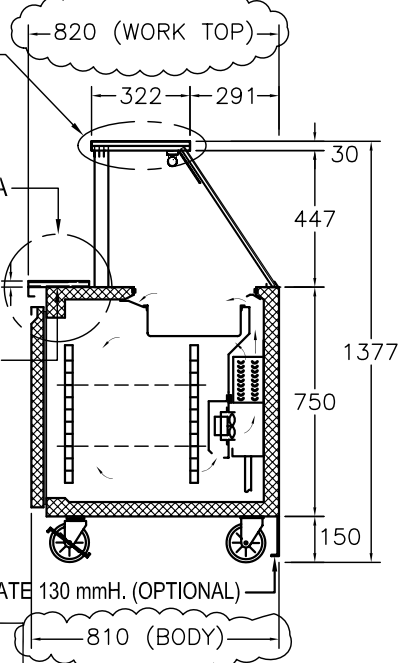


KICK PLATE 130 mmH. (OPTIONAL)

SEE DETAIL B

NUT INSERT FOR FIXING S/S PLATE TO FIX THE CUTTING BOARD

SEE DETAIL A



SIDE VIEW

**NOTE :**  
 - WORK TOP DEPTH TO 820 mm.  
 - BODY DEPTH TO 810 mm.

TECHNICAL DATA	Refrigerator model	
a) MODEL NUMBER	WSMS 1330 - L	
b) DIMENSION L x D x H (Cm.)	133 x (82+81) x 137.7	
c) TEMPERATURE RANGE	2 °C to 5 °C	<div style="border: 1px dashed black; padding: 5px;"> <p><b>NOTE :</b>                      S/S # 4 FINISHED                      ↔ REFERS TO                      S/S GRAIN DIRECTION                      (HORIZONTAL)</p> </div>
d) REFRIGERANT	R-404a	
e) COOLING CAPACITY (Btu.)	1593	
f) CONDENSING UNIT (Hp.)	1/6	
g) WIRE SHELVES	4 pieces	
h) PAN (100 mm. Depth)	7 GN 1/3	
i) POWER SUPPLY	220V - 50Hz - 1Ph	

**Sandwich preparation counter**

<b>WELBILT</b> Manufacturing(Thailand)Ltd.	UNLESS OTHERWISE NOTED		PROJECT: <b>WOODSON</b>	P/O NO.
	DESIGN DIMENSIONS ARE IN mm.		PRODUCT: <b>AS ABOVE SPECIFIED</b>	QTY.
SCALE	NTS.	DWG. NO. <b>WSMS 1330 - L</b>	PAGE NO.	DATE: <b>15/10/07</b>
SA1:	SA2:	MN1:	MN2:	REVISION: <b>J</b>
				APPROVED:
				AA: