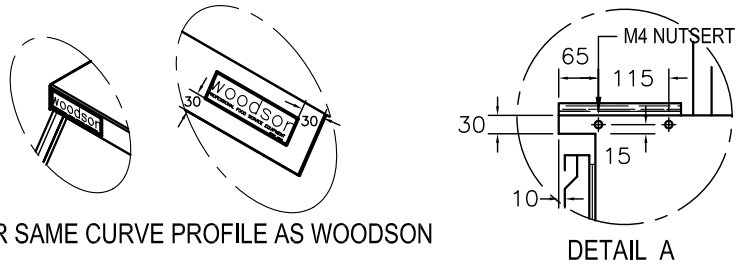
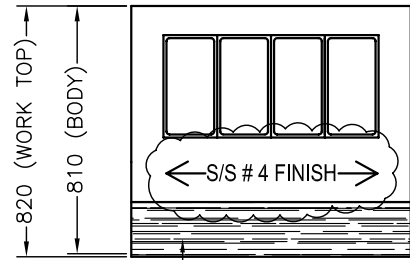


Optional

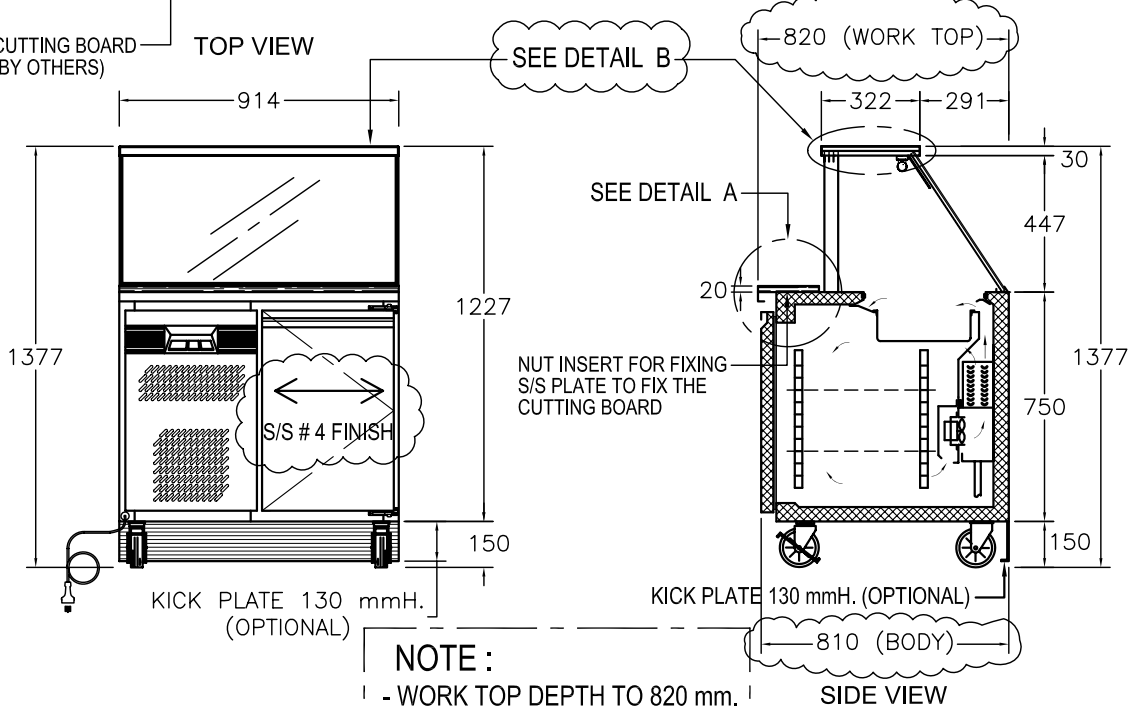
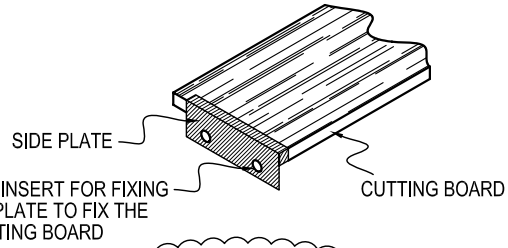
- Cutting board
- Crumb tray with S/S wire shelf



FOR SAME CURVE PROFILE AS WOODSON



CUTTING BOARD (BY OTHERS) TOP VIEW



SEE DETAIL B

SEE DETAIL A

NOTE :
 - WORK TOP DEPTH TO 820 mm.
 - BODY DEPTH TO 810 mm.

TECHNICAL DATA	Refrigerator model	
a) MODEL NUMBER	WSMS 914 - L	
b) DIMENSION L x D x H (Cm.)	91.4 x (82+81) x 137.7	
c) TEMPERATURE RANGE	2 °C to 5 °C	NOTE : S/S # 4 FINISHED ↔ REFERS TO S/S GRAIN DIRECTION (HORIZONTAL)
d) REFRIGERANT	R-404a	
e) COOLING CAPACITY (Btu.)	1187	
f) CONDENSING UNIT (Hp.)	1/6	
g) WIRE SHELVES	2 pieces	
h) PAN (100 mm. Depth)	4 GN 1/3	
i) POWER SUPPLY	220V - 50Hz - 1Ph	

Sandwich preparation counter

WELBILT Manufacturing(Thailand)Ltd.	UNLESS OTHERWISE NOTED		PROJECT:	WOODSON		P/O NO.
	DESIGN DIMENSIONS ARE IN mm.		PRODUCT:	AS ABOVE SPECIFIED		QTY.
SCALE	NTS.	DWG. NO. WSMS 914 - L	PAGE NO.	JOB NO.	ITEM:	DATE: 15/10/07
SA1:	SA2:	MN1:	MN2:	DRAWN: PS	CHECKED: PS	REVISION: J
						APPROVED:
						AA: