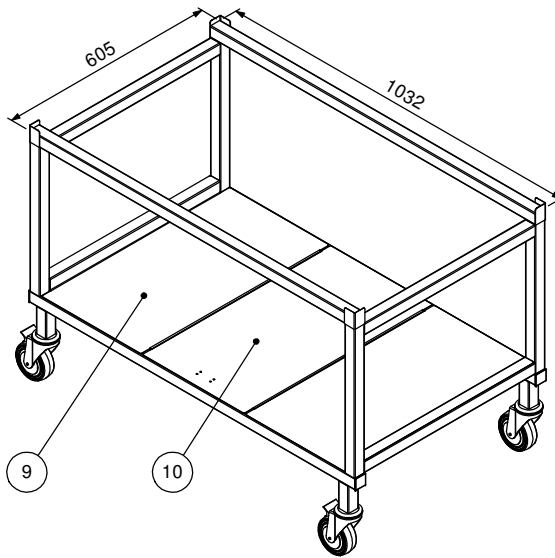


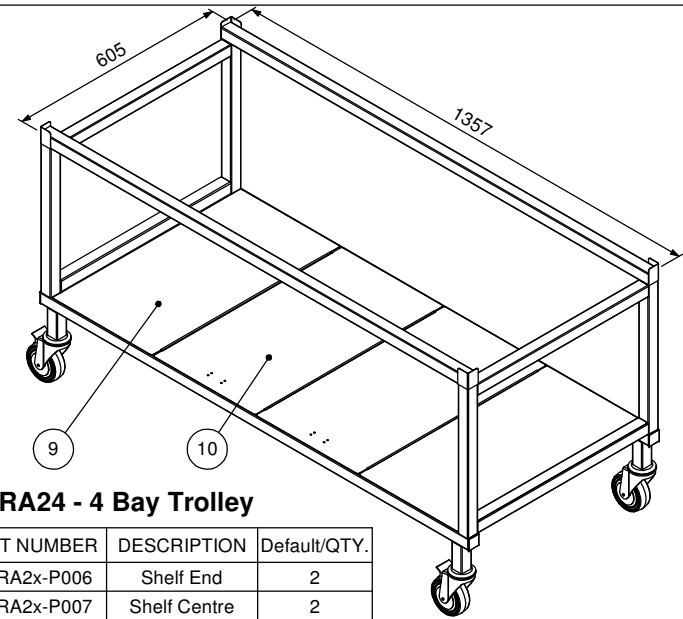
WTRA22 - 2 Bay Trolley

ITEM NO.	PART NUMBER	DESCRIPTION	QTY.
9	WTRA2x-P006	Shelf End	2



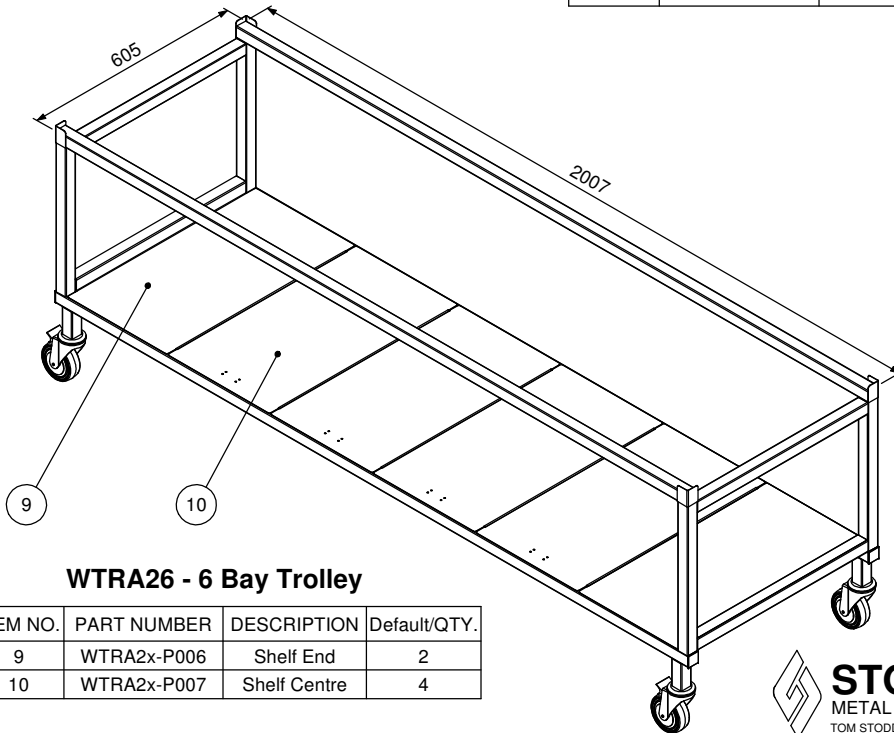
WTRA23 - 3 Bay Trolley

ITEM NO.	PART NUMBER	DESCRIPTION	Default/QTY.
9	WTRA2x-P006	Shelf End	2
10	WTRA2x-P007	Shelf Centre	1



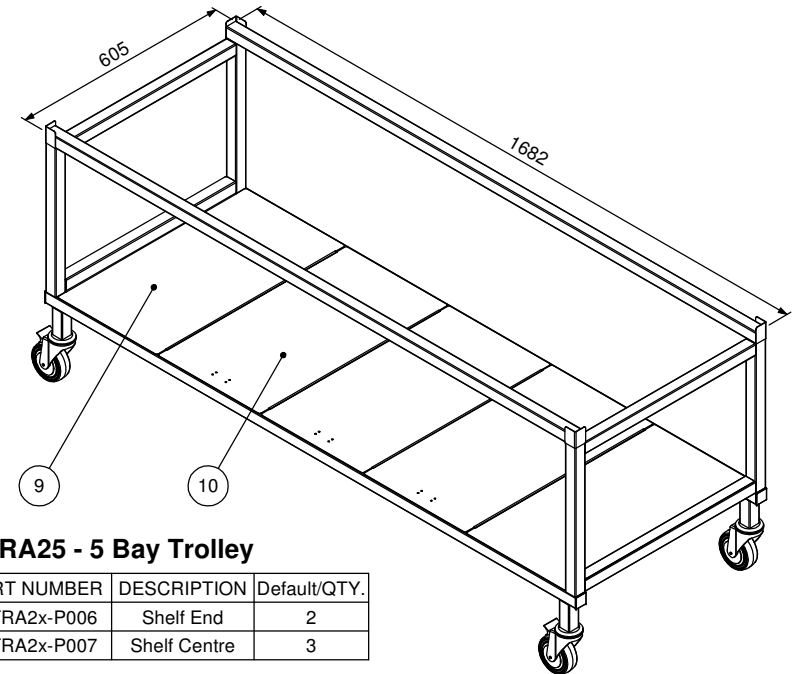
WTRA24 - 4 Bay Trolley

ITEM NO.	PART NUMBER	DESCRIPTION	Default/QTY.
9	WTRA2x-P006	Shelf End	2
10	WTRA2x-P007	Shelf Centre	2



WTRA26 - 6 Bay Trolley

ITEM NO.	PART NUMBER	DESCRIPTION	Default/QTY.
9	WTRA2x-P006	Shelf End	2
10	WTRA2x-P007	Shelf Centre	4



WTRA25 - 5 Bay Trolley

ITEM NO.	PART NUMBER	DESCRIPTION	Default/QTY.
9	WTRA2x-P006	Shelf End	2
10	WTRA2x-P007	Shelf Centre	3

STODDART
 METAL FABRICATORS
 TOM STODDART Pty Ltd ACN 009 690 251
 215 Jackson Rd Sunnybank Hills Qld 4109
 PO Box 420 Sunnybank Qld 4109
 Phone (617) 3345 5011 Fax (617) 3344 1000
 Email sunnybank@stoddart.com.au
Quality in stainless steel

Press:	Programmed by:	Date:	Punch:	Die:
--------	----------------	-------	--------	------

PRODUCT:				PART No: WTRA23-A001	
DRAWN	NAME	SIGNATURE	DATE	DESCRIPTION: General Drawing	
APPVD				UNLESS OTHERWISE SPECIFIED: DIMENSIONS ARE IN MILLIMETERS	
			MATERIAL:		REVISION
			THICKNESS:		DWG No: WTRA2x-A001
			FINISH:		?
DO NOT SCALE DRAWING			This drawing remains the property of Tom Stoddart Pty Ltd & cannot be reproduced without prior permission.		
			A3	Sheet 1 of 1	