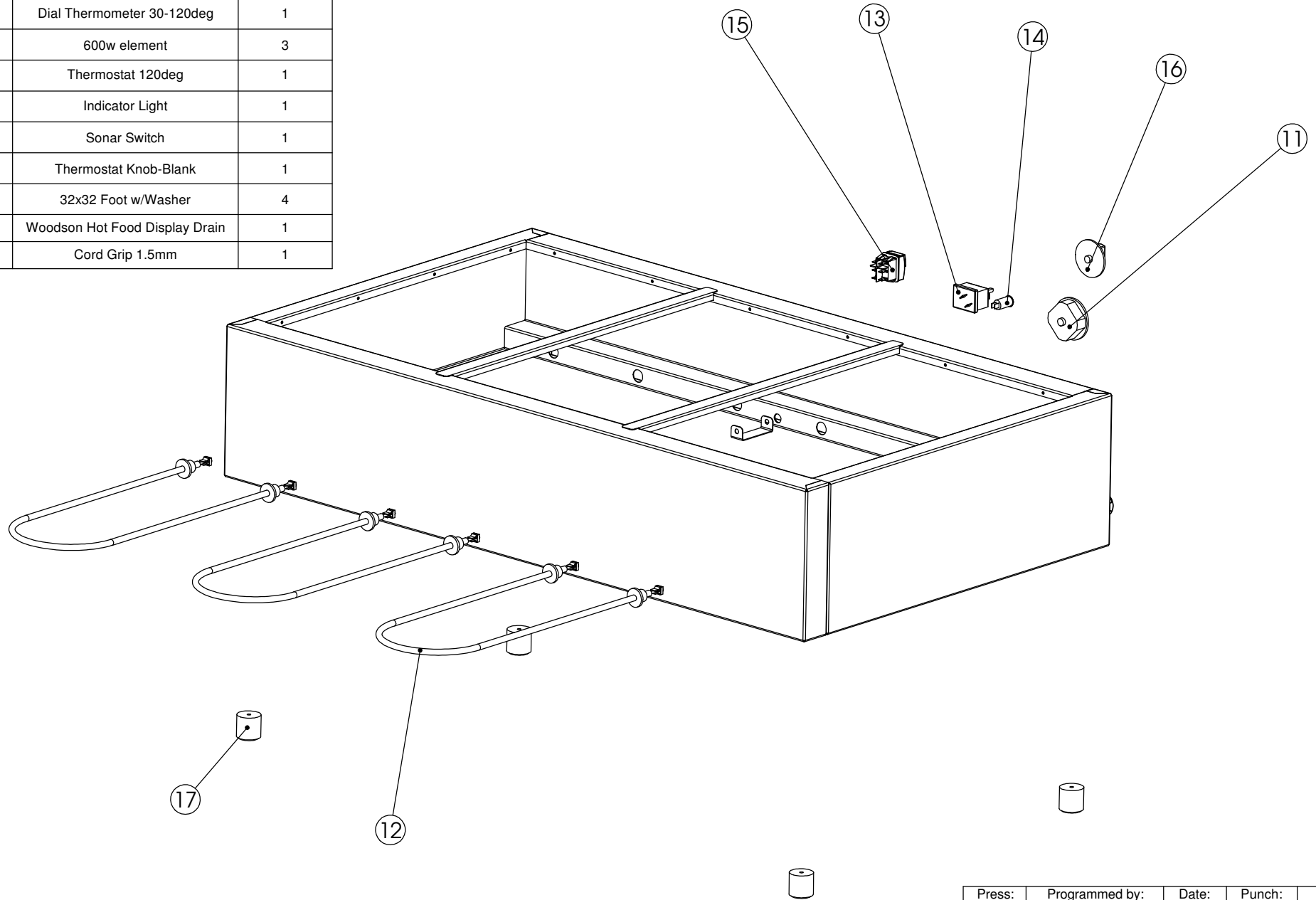



ITEM NO.	PART NUMBER	DESCRIPTION	Replacement Parts/QTY.
11	CMEL-0235	Dial Thermometer 30-120deg	1
12	CMEL-0332	600w element	3
13	CMEL-0333	Thermostat 120deg	1
14	CMEL-0540	Indicator Light	1
15	CMEL-0668	Sonar Switch	1
16	CMEL-0698	Thermostat Knob-Blank	1
17	CMGE-0276	32x32 Foot w/Washer	4
23	WHFD-A001	Woodson Hot Food Display Drain	1
24	CMEL-0075	Cord Grip 1.5mm	1



Press:	Programmed by:	Date:	Punch:	Die:
--------	----------------	-------	--------	------


STODDART
METAL FABRICATORS
 TOM STODDART Pty Ltd ACN 009 690 251
 215 Jackson Rd Sunnybank Hills Qld 4109
 PO Box 420 Sunnybank Qld 4109
 Phone (617) 3345 5011 Fax (617) 3344 1000
 Email sunnybank@stoddart.com.au
Quality in stainless steel

PRODUCT: Woodson 3 Bay Bain Marie				PART No: WBMA23-A001		
DRAWN	N Wooler	SIGNATURE	DATE	UNLESS OTHERWISE SPECIFIED: DIMENSIONS ARE IN MILLIMETERS		
APPV'D			3/08/2004	DESCRIPTION: Replacement Parts		
			MATERIAL:		REVISION	
			THICKNESS:		B	
			FINISH:			
				DWG No: WBMA23-D001		
DO NOT SCALE DRAWING		This drawing remains the property of Tom Stoddart Pty Ltd & cannot be reproduced without prior permission.			A3	Sheet 3 of 18