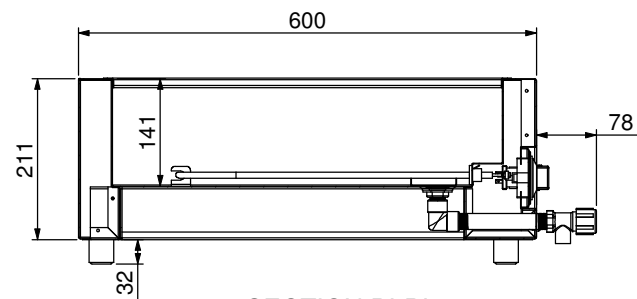
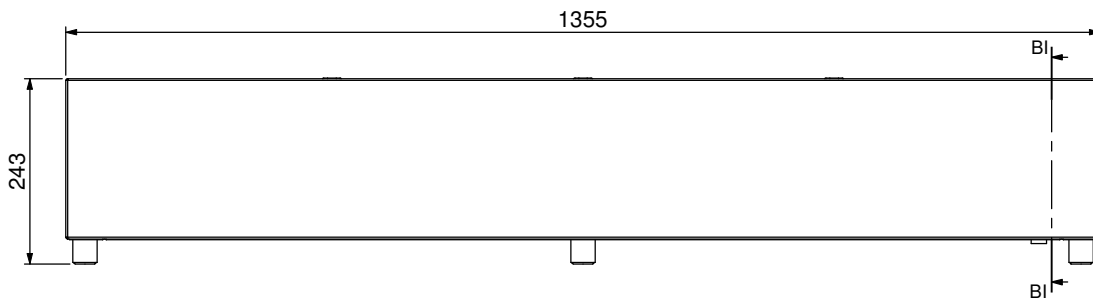
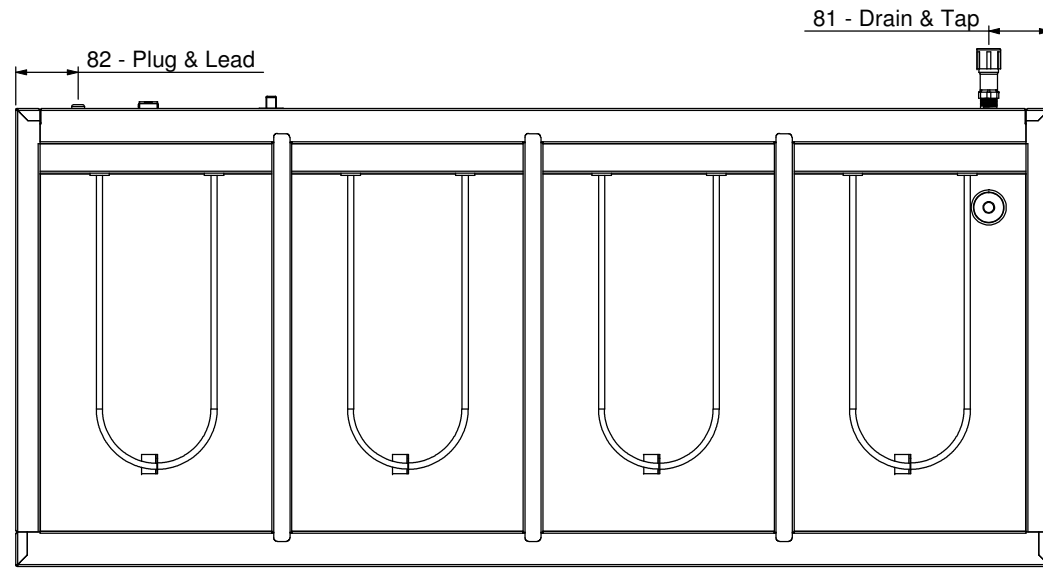
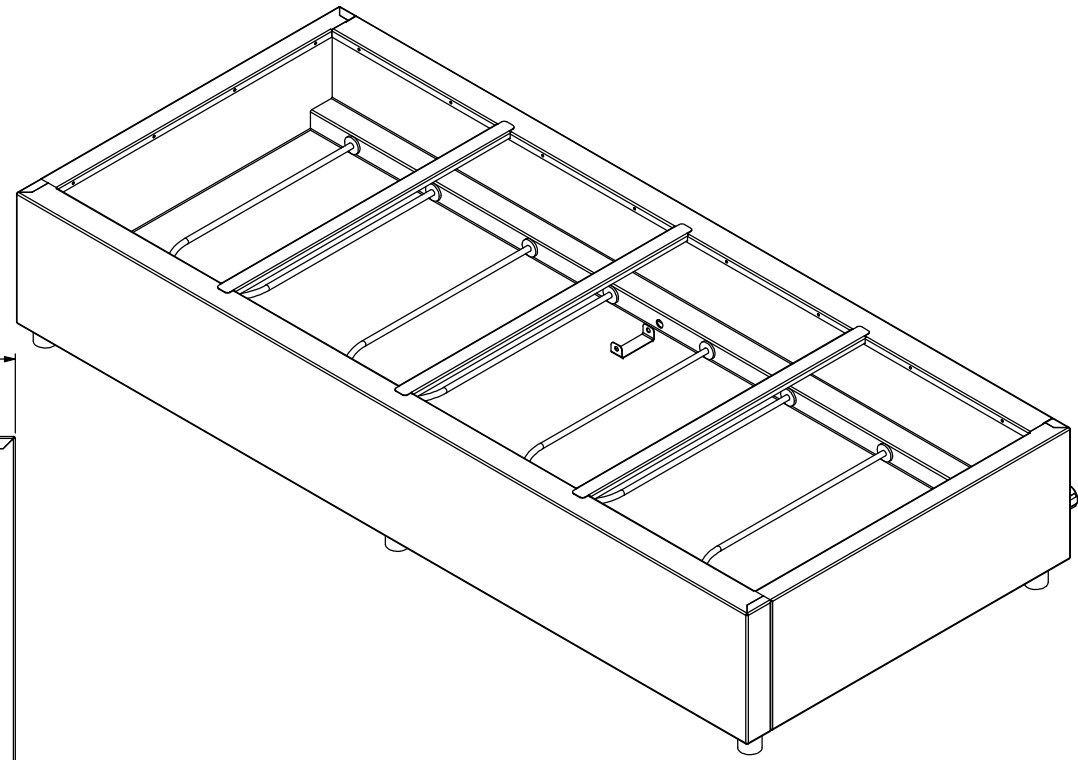


**Product Details**

Electrical Connection : 10 Amp Plug & Lead (supplied)  
 Electrical Rating : 240v, 10amps, 2400w,

Waste : 4 elements @ 600w  
 : 13mm with 19mm drain  
 and 1/2" BSP mini cistern cock

Unit Controls : Switch for main power  
 : Thermostat with dial thermometer



SECTION BI-BI

Press:	Programmed by:	Date:	Punch:	Die:
--------	----------------	-------	--------	------

**STODDART**  
 METAL FABRICATORS  
 TOM STODDART Pty Ltd ACN 009 690 251  
 215 Jackson Rd Sunnybank Hills Qld 4109  
 PO Box 420 Sunnybank Qld 4109  
 Phone (617) 3345 5011 Fax (617) 3344 1000  
 Email sunnybank@stoddart.com.au  
*Quality in stainless steel*

PRODUCT: Woodson 4 Bay Bain Marie				PART No: <b>WBMA24-A001</b>	
DRAWN	N Wooler	SIGNATURE	DATE	UNLESS OTHERWISE SPECIFIED: DIMENSIONS ARE IN MILLIMETERS	
APPV'D				DESCRIPTION: General Drawing	
			MATERIAL:		REVISION
			THICKNESS:		<b>B</b>
			FINISH:		
DO NOT SCALE DRAWING		This drawing remains the property of Tom Stoddart Pty Ltd & cannot be reproduced without prior permission.			A3
					Sheet 1 of 19