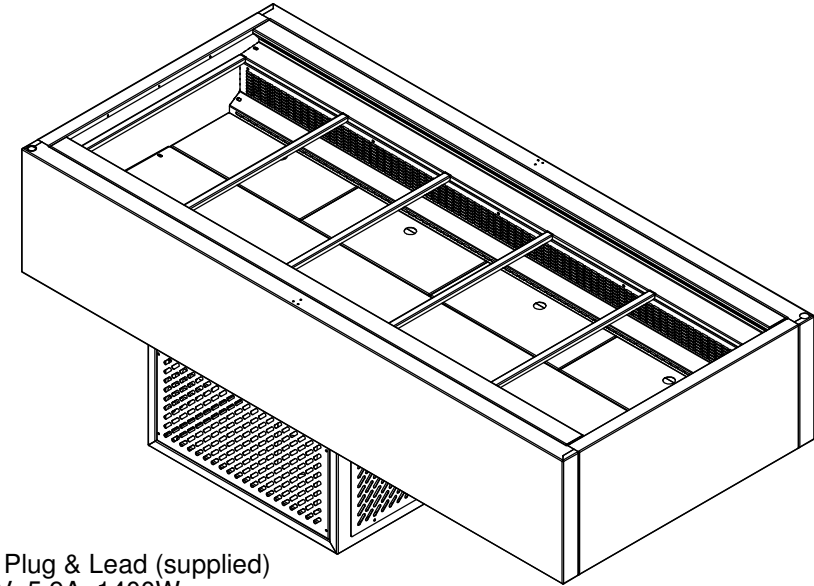
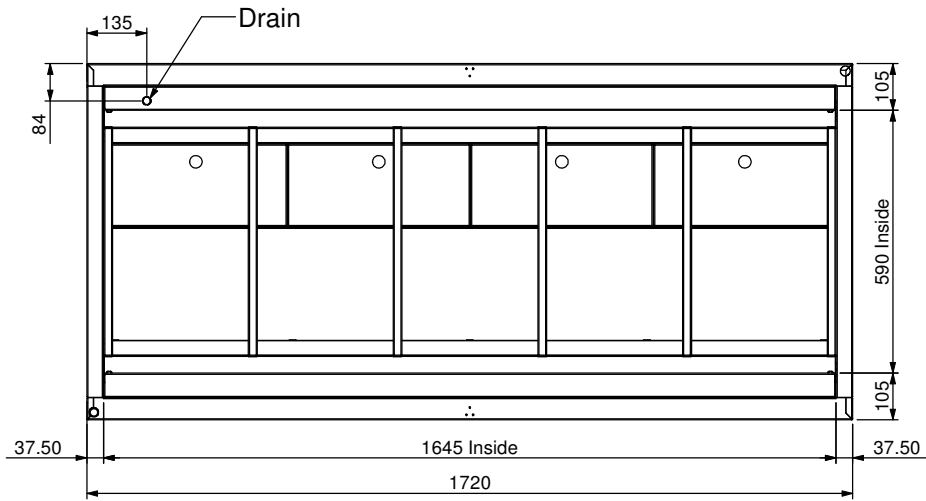
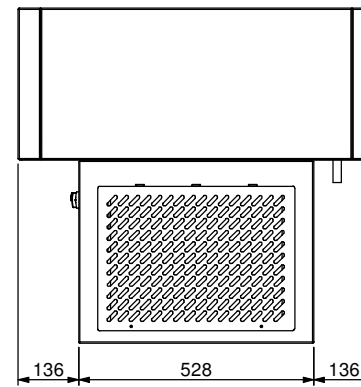
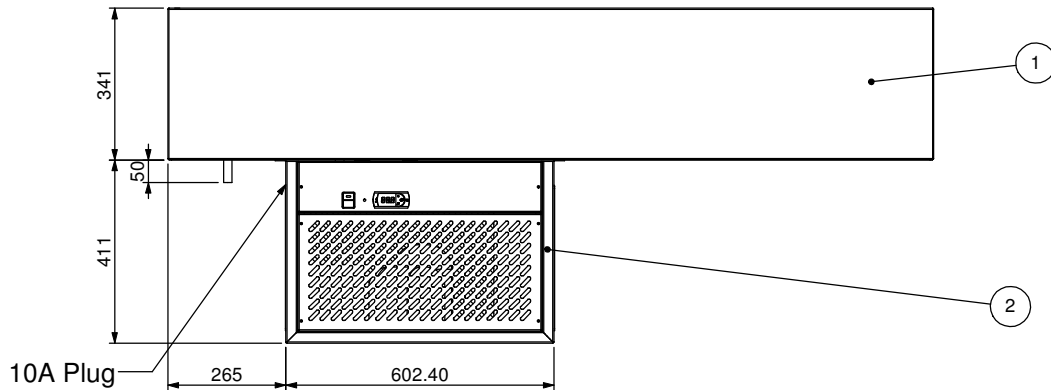


ITEM NO.	PART NUMBER	DESCRIPTION	Rev	Drawing Number	QTY.
1	WCFS25SS-A002	Body	C	WCFS25SS-A002	1
2	WCFS2xSS-CH-A001	Compressor Housing	C	WCFS2xSS-CH-D001	1



**Product Details**

- Electrical Connection: 10A Plug & Lead (supplied)
- Electrical Rating : 240V, 5.9A, 1400W
- Waste : 20mm with drain hose attached
- Unit Controls : Switch for main power
- : Carel controller with digital readout



Press:	Programmed by:	Date:	Punch:	Die:
--------	----------------	-------	--------	------

**STODDART**  
METAL FABRICATORS  
TOM STODDART Pty Ltd ACN 009 690 251  
215 Jackson Rd Sunnybank Hills Qld 4109  
PO Box 420 Sunnybank Qld 4109  
Phone (617) 3345 5011 Fax (617) 3344 1000  
Email sunnybank@stoddart.com.au  
*Quality in stainless steel*

PRODUCT: Cold Self Serve 5 Bay Flat Deck				PART No: <b>WCFN25SS-A001</b>	
NAME	SIGNATURE	DATE	UNLESS OTHERWISE SPECIFIED: DIMENSIONS ARE IN MILLIMETERS	DESCRIPTION: General Drawing	
DRAWN C Booth		14/11/2006			
APPV'D			MATERIAL:	DWG No: <b>WCFN25SS-D001</b>	
			THICKNESS:	REVISION <b>A</b>	
			FINISH:		
DO NOT SCALE DRAWING	This drawing remains the property of Tom Stoddart Pty Ltd & cannot be reproduced without prior permission.				Sheet 1 of 3