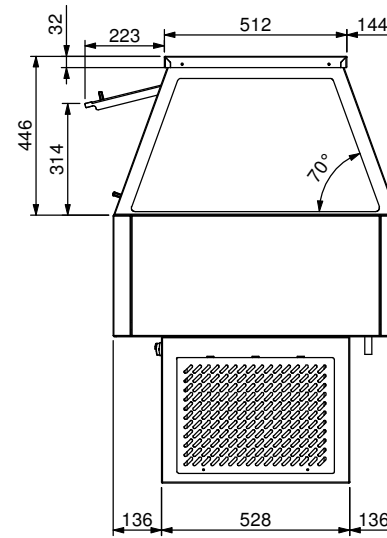
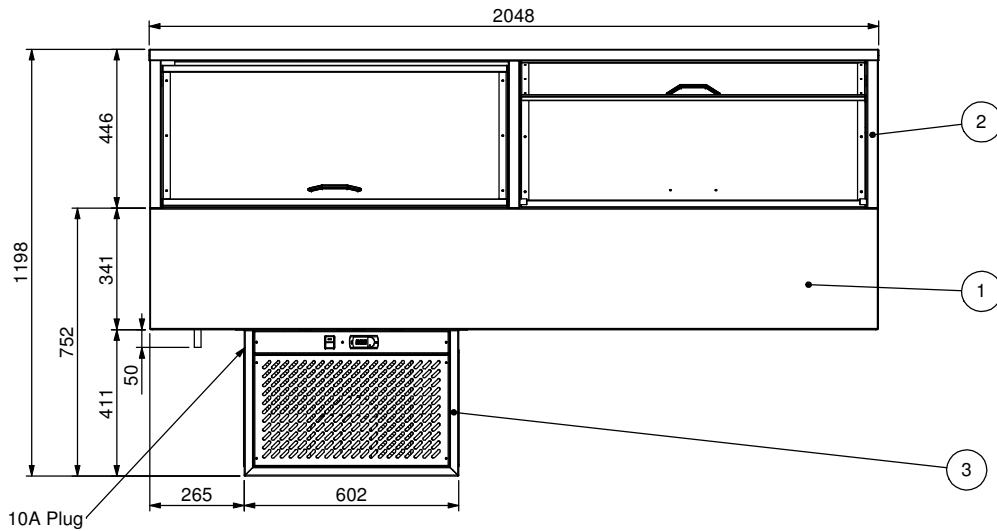
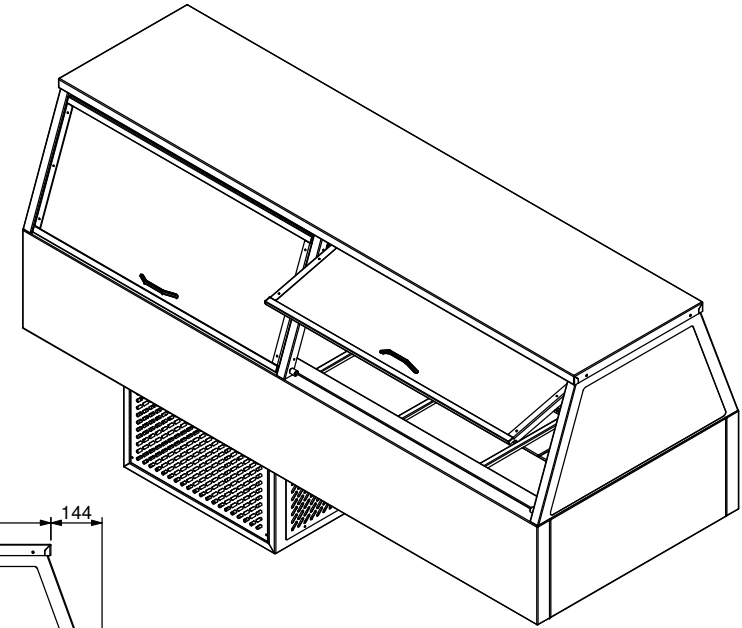
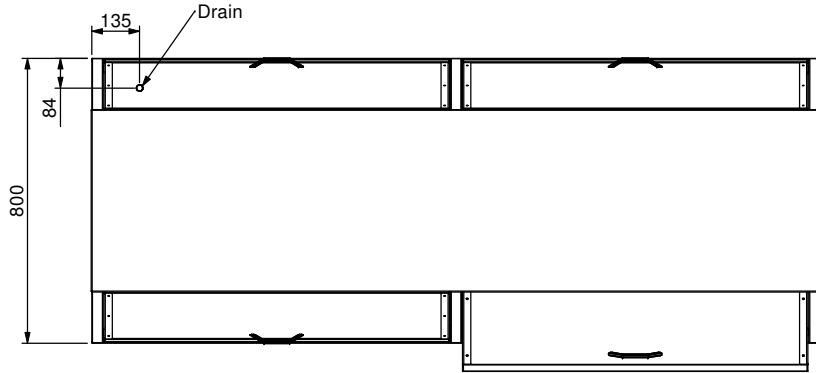


ITEM NO.	PART NUMBER	DESCRIPTION	Rev	Drawing Number	Default/ QTY.
1	WCFS26SS-A002	Body	C	WCFS26SS-D002	1
2	WCFS26SS-A003	Gantry	C	WCFS26SS-D003	1
3	WCFS2xSS-CH-A001	Compressor Housing	C	WCFS2xSS-CH-D001	1



Product Details

Electrical Connection: Supply single phase
: 230v, 5.9amps 1400w 10amp Plug & Lead supplied
Waste : 20mm with drain hose attached
Unit Controls : Switch for main power
: Carel controller with digital readout

STODDART
METAL FABRICATORS
TOM STODDART Pty Ltd ACN 009 690 251
215 Jackson Rd Sunnybank Hills Qld 4109
PO Box 420 Sunnybank Qld 4109
Phone (617) 3345 5011 Fax (617) 3344 1000
Email sunnybank@stoddart.com.au
Quality in stainless steel

PRODUCT: Cold Self Serve 6 Bay		Press:	Programmed by:	Date:
NAME	SIGNATURE	PART No: WCFS26SS-A001		
DATE	11/11/2008	DESCRIPTION: General Drawing		
DRAWN	C Booth	MATERIAL:		REVISION
APPV'D		THICKNESS:		B
		FINISH:		
DO NOT SCALE DRAWING		This drawing remains the property of Tom Stoddart Pty Ltd & cannot be reproduced without prior permission.		Sheet 1 of 3

REV.	NAME	DATE	DESCRIPTION
B	M Sheehan	31/03/2008	Latest Carel controller & Electrolux condenser added