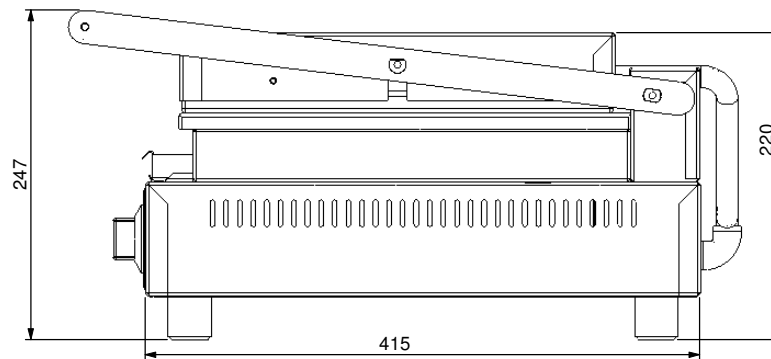
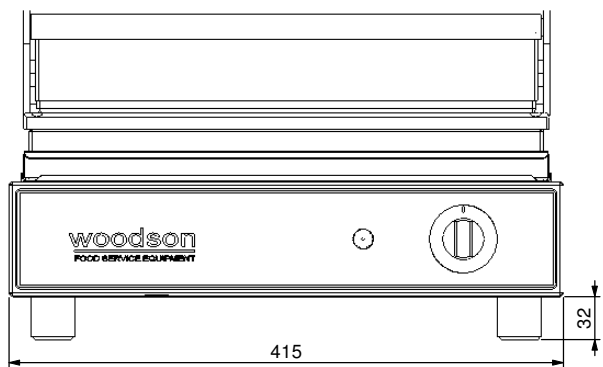
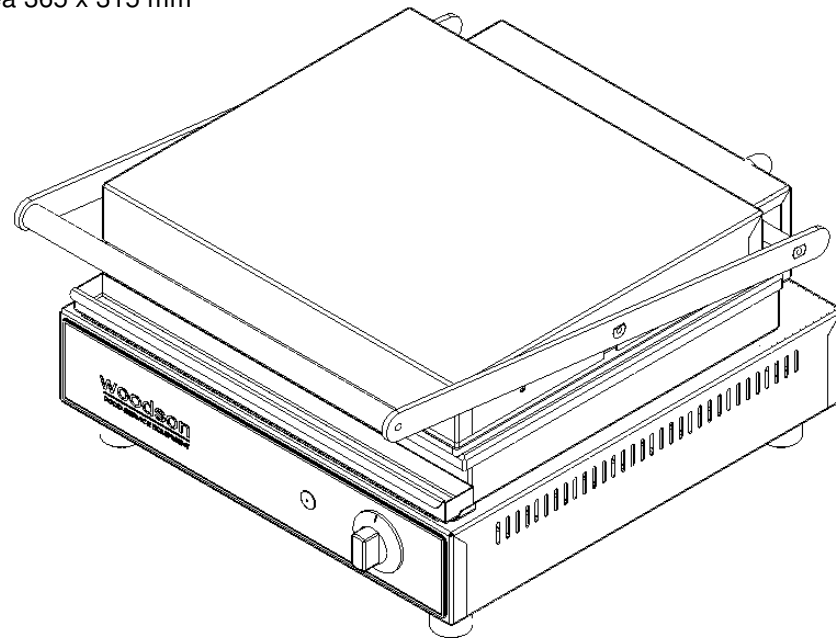
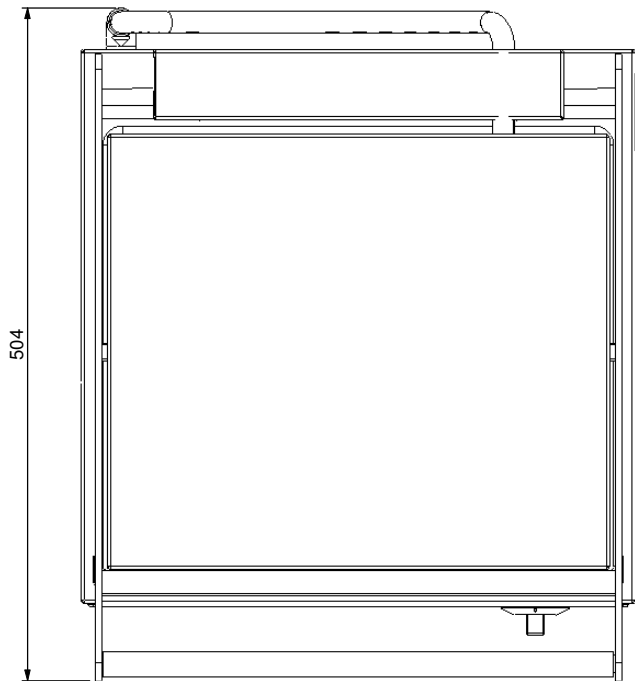


Product Details

Electrical Connection : Supply single phase
 : 240v, 10amps, 2200w, 10amp plug & lead supplied
 : 2 elements @ 1100w (240V)
 Unit Controls : Knob for 250deg thermostat with indicator light
 Toasting Plate Size : Effective plate area 365 x 315 mm



Press:	Programmed by:	Date:	Punch:	Die:
--------	----------------	-------	--------	------

STODDART
 METAL FABRICATORS
 TOM STODDART Pty Ltd ACN 009 690 251
 215 Jackson Rd Sunnybank Hills Qld 4109
 PO Box 420 Sunnybank Qld 4109
 Phone (617) 3345 5011 Fax (617) 3344 1000
 Email sunnybank@stoddart.com.au
Quality in stainless steel

PRODUCT: Contact Toaster				PART No: WCT6-A001	
DRAWN	N Wooler	SIGNATURE	DATE	UNLESS OTHERWISE SPECIFIED: DIMENSIONS ARE IN MILLIMETERS	
APPV'D			12/05/2004	DESCRIPTION: General Drawing	
			MATERIAL: 0.9 430 B/A		REVISION
			THICKNESS:		DWG No: WCT6-D001
			FINISH:		A
DO NOT SCALE DRAWING		This drawing remains the property of Tom Stoddart Pty Ltd & cannot be reproduced without prior permission.			Sheet 1 of 28