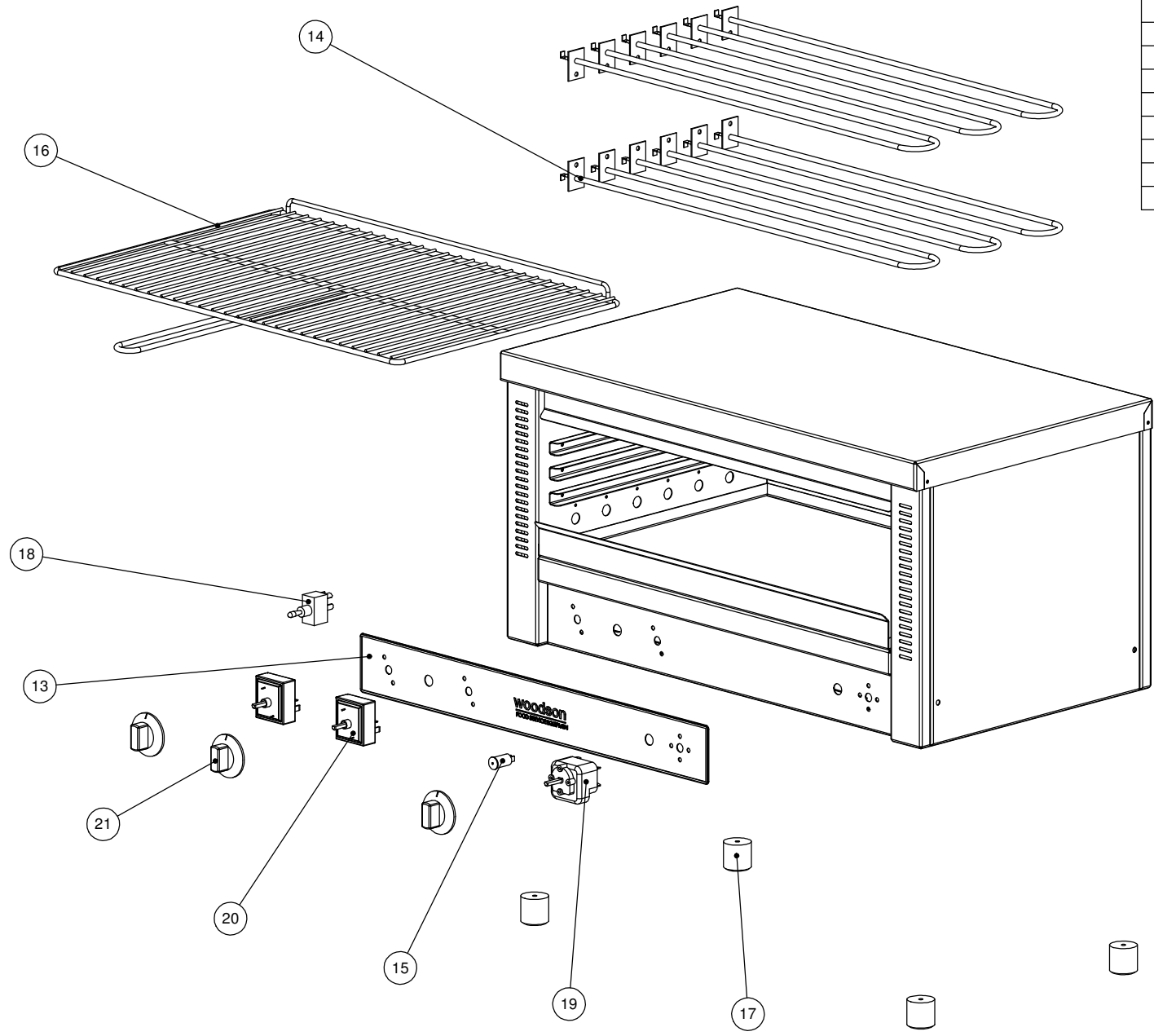


ITEM NO.	PART NUMBER	DESCRIPTION	Spare Parts/QTY.
13	CMGE-0391	Decal Large Infra-Red Toaster 565x70	1
14	CMEL-0331	Infra-Red Radiant 545w	6
15	CMEL-0540	Indicator Light	1
16	CMGE-0381	Large Infra-Red Toaster Shelf	1
17	CMGE-0276	32x32 Foot w/Washer	4
18	CMEL-0403	Chily 7021 Toggle Switch	1
19	CMEL-0340	15min Timer	1
20	CMEL-0285	Energy Regulator 13amp	2
21	CMEL-0698	Thermostat Knob-Blank	3



Press:	Programmed by:	Date:	Punch:	Die:
--------	----------------	-------	--------	------

**STODDART**  
**METAL FABRICATORS**  
TOM STODDART Pty Ltd ACN 009 690 251  
215 Jackson Rd Sunnybank Hills Qld 4109  
PO Box 420 Sunnybank Qld 4109  
Phone (617) 3345 5011 Fax (617) 3344 1000  
Email sunnybank@stoddart.com.au  
*Quality in stainless steel*

PRODUCT: Large Infra-Red Toaster				PART No: <b>WGLI150-A001</b>	
NAME	SIGNATURE	DATE	UNLESS OTHERWISE SPECIFIED: DIMENSIONS ARE IN MILLIMETERS	DESCRIPTION: Spare Parts	
DRAWN N Wooler		11/05/2006			
APP'VD			MATERIAL: 0.9 430 B/A	REVISION	
			THICKNESS: FINISH: B/A	DWG No: <b>WGLI150-D001</b>	
DO NOT SCALE DRAWING			This drawing remains the property of Tom Stoddart Pty Ltd & cannot be reproduced without prior permission.		A3
				Sheet 3 of 18	