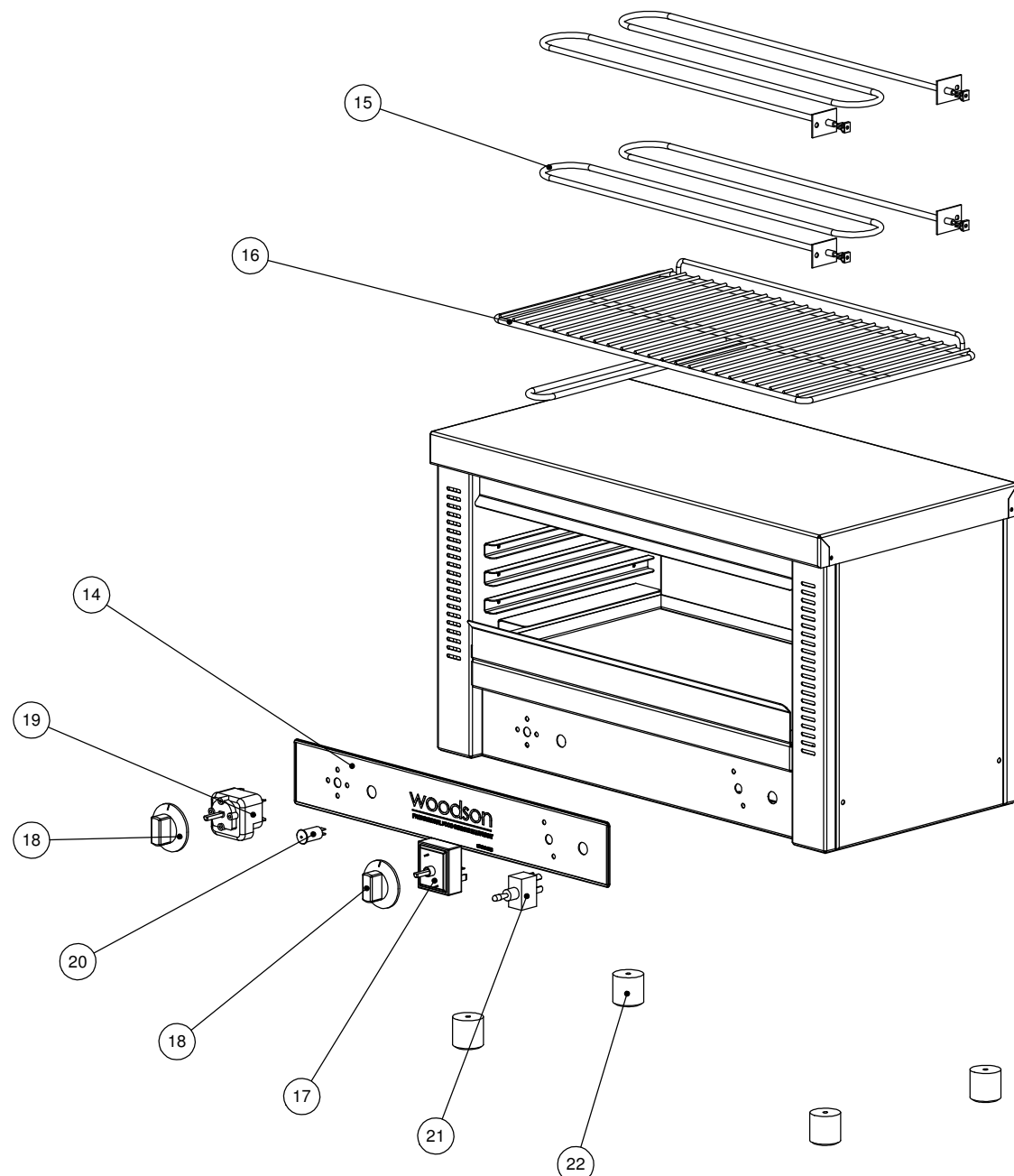


ITEM NO.	PART NUMBER	DESCRIPTION	Spare Parts/QTY.
14	CMGE-0390	Decal Infra-Red Toaster 462x70	1
15	CMEL-0329	Infra-Red Toaster 1200w Element	2
16	CMGE-0288	Infra-Red Toaster Shelf	1
17	CMEL-0285	Energy Regulator 13amp	1
18	CMEL-0698	Thermostat Knob-Blank	2
19	CMEL-0340	15min Timer	1
20	CMEL-0540	Indicator Light	1
21	CMEL-0403	Chily 7021 Toggle Switch	1
22	CMGE-0276	32x32 Foot w/Washer	4



Press:	Programmed by:	Date:	Punch:	Die:
--------	----------------	-------	--------	------

**STODDART**  
**METAL FABRICATORS**  
 TOM STODDART Pty Ltd ACN 009 690 251  
 215 Jackson Rd Sunnybank Hills Qld 4109  
 PO Box 420 Sunnybank Qld 4109  
 Phone (617) 3345 5011 Fax (617) 3344 1000  
 Email sunnybank@stoddart.com.au  
*Quality in stainless steel*

PRODUCT: Infra-Red Toaster				PART No: <b>WGLI70-A001</b>	
NAME	SIGNATURE	DATE	UNLESS OTHERWISE SPECIFIED: DIMENSIONS ARE IN MILLIMETERS	DESCRIPTION: Spare Parts	
DRAWN	N Wooler	24/03/2006			
APPVD			MATERIAL:	DWG No: <b>WGLI70-D001</b>	
			THICKNESS:	REVISION	
			FINISH:	<b>A</b>	
DO NOT SCALE DRAWING		This drawing remains the property of Tom Stoddart Pty Ltd & cannot be reproduced without prior permission.			Sheet 3 of 19