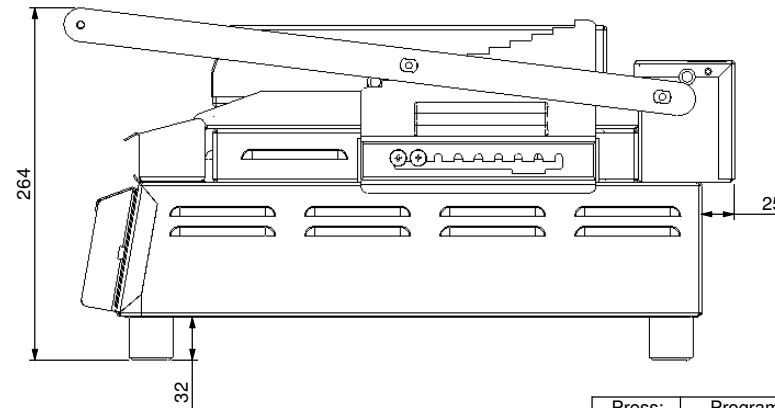
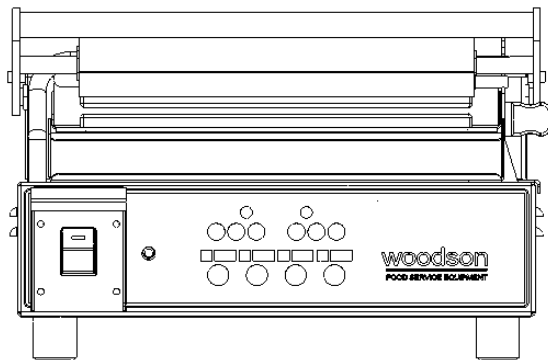
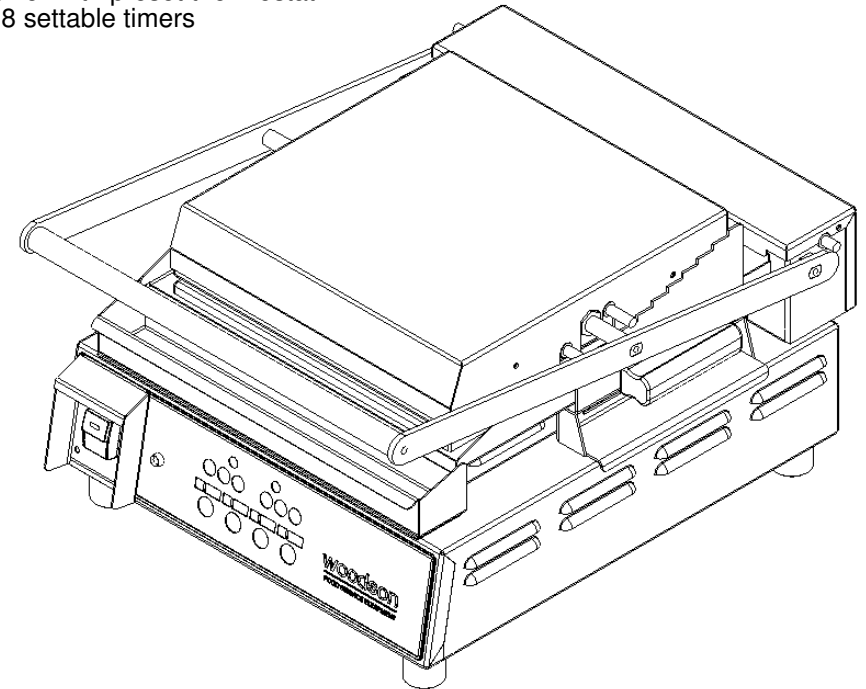


Product Details

- Electrical Connection : Supply single phase
 : 240v, 10amps, 2100w, 10amp plug & lead supplied
 : 1 top element @ 1000w (240V)
 : 1 bottom element @ 1100w (240V)
- Unit Controls : Switch for main power with preset thermostat
 : Circuit board with 8 settable timers



REV.	NAME	DATE	DESCRIPTION
E	M Sheehan	16/11/2007	Unit height shortened 10mm through body panel
D	N Wooler	3/07/2007	Arms changed from 10x20 flat bar to 5x25. Front, middle and back pins altered also.
C	N Wooler	06/11/2006	Gutter added, height adjuster, height adjuster handle and height adjuster pins changed. Body grew 20mm as well.
B	N Wooler	14/09/2006	Switch cover Added

STODDART
 METAL FABRICATORS
 TOM STODDART Pty Ltd ACN 009 690 251
 215 Jackson Rd Sunnybank Hills Qld 4109
 PO Box 420 Sunnybank Qld 4109
 Phone (617) 3345 5011 Fax (617) 3344 1000
 Email sunnybank@stoddart.com.au
Quality in stainless steel

Press:				Programmed by:		Date:		Punch:		Die:	
PRODUCT: Contact Toaster Stainless Plate								PART No: WGPC41 ASC-A001			
DRAWN N Wooler		SIGNATURE		DATE 2/06/2008		UNLESS OTHERWISE SPECIFIED: DIMENSIONS ARE IN MILLIMETERS					
APPVD		MATERIAL:		THICKNESS:		FINISH:		DESCRIPTION: General Drawing			
								DWG No: WGPC41 ASC-D001		REVISION E	
DO NOT SCALE DRAWING		This drawing remains the property of Tom Stoddart Pty Ltd & cannot be reproduced without prior permission.						A3		Sheet 1 of 38	