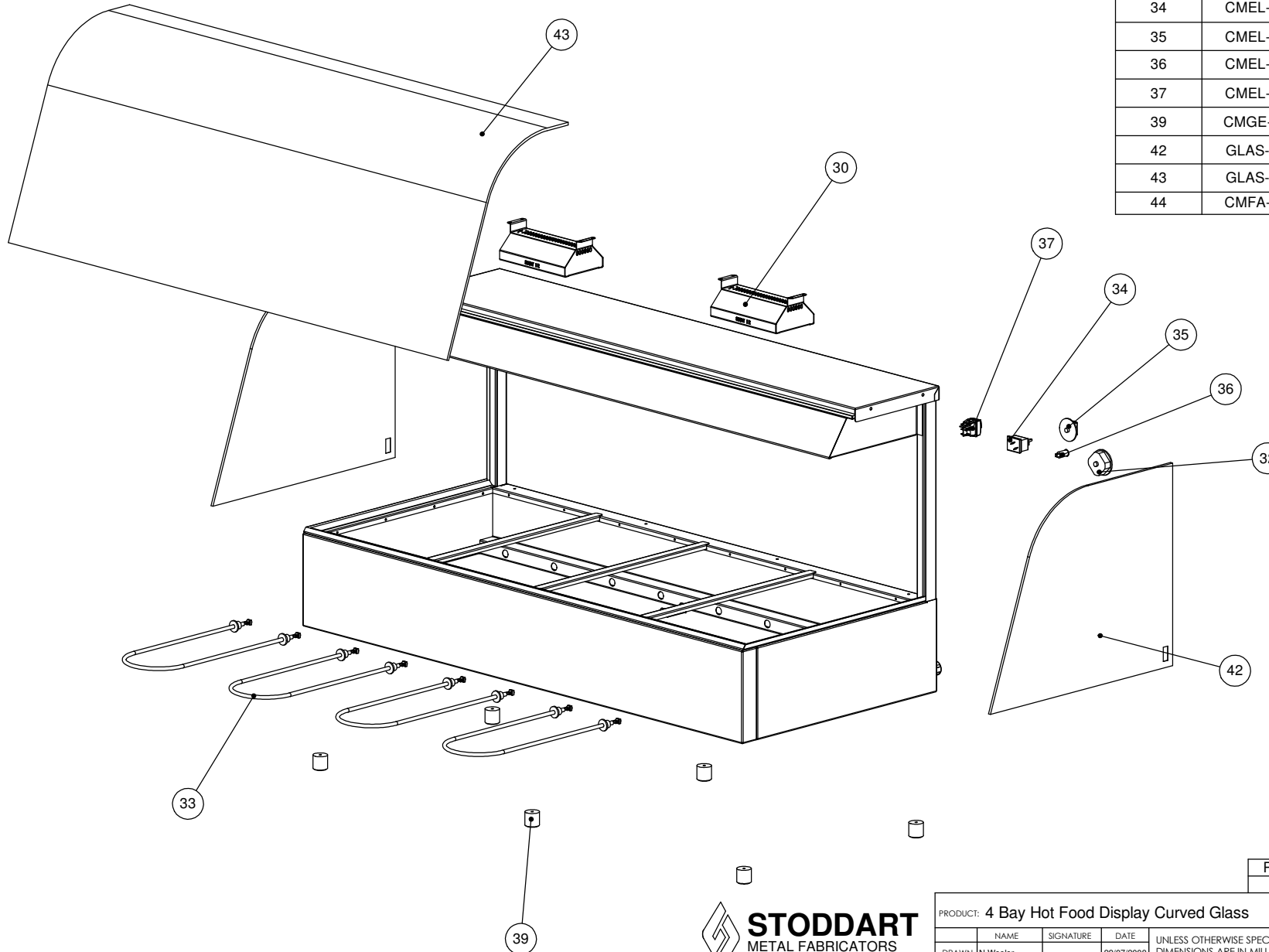


ITEM NO.	PART NUMBER	DESCRIPTION	Spare Parts WHFC24/QTY.
30	WHLU1-A001	Woodson Heat Lamp Unit 300Watt	2
31	CMEL-0075	Cord Grip 1.5mm	1
32	CMEL-0235	Dial Thermometer 30-120deg	1
33	CMEL-0332	600w element	4
34	CMEL-0333	Thermostat 120deg	1
35	CMEL-0698	Thermostat Knob-Blank	1
36	CMEL-0540	Indicator Light	1
37	CMEL-0668	Sonar Switch	1
39	CMGE-0276	32x32 Foot w/Washer	6
42	GLAS-0011	Woodson Curved Glass End	2
43	GLAS-0014	Woodson 4 Bay Curved Front Glass	1
44	CMFA-0455	Hexsert Large Flange M5	20



Press:	Programmed by:	Date:	Punch:	Die:
--------	----------------	-------	--------	------

PRODUCT: 4 Bay Hot Food Display Curved Glass				PART No: <b>WHFS24-A001</b>	
NAME	SIGNATURE	DATE	UNLESS OTHERWISE SPECIFIED: DIMENSIONS ARE IN MILLIMETERS	DESCRIPTION: Spare Parts	
DRAWN	N Wooler	22/07/2008			
APP'VD			MATERIAL:	DWG No: <b>WHFC24-D001</b>	
			THICKNESS:	REVISION	
			FINISH:	<b>A</b>	
DO NOT SCALE DRAWING			This drawing remains the property of Tom Stoddart Pty Ltd & cannot be reproduced without prior permission.		


**STODDART**  
**METAL FABRICATORS**  
 TOM STODDART Pty Ltd ACN 009 690 251  
 215 Jackson Rd Sunnybank Hills Qld 4109  
 PO Box 420 Sunnybank Qld 4109  
 Phone (617) 3345 5011 Fax (617) 3344 1000  
 Email sunnybank@stoddart.com.au  
*Quality in stainless steel*