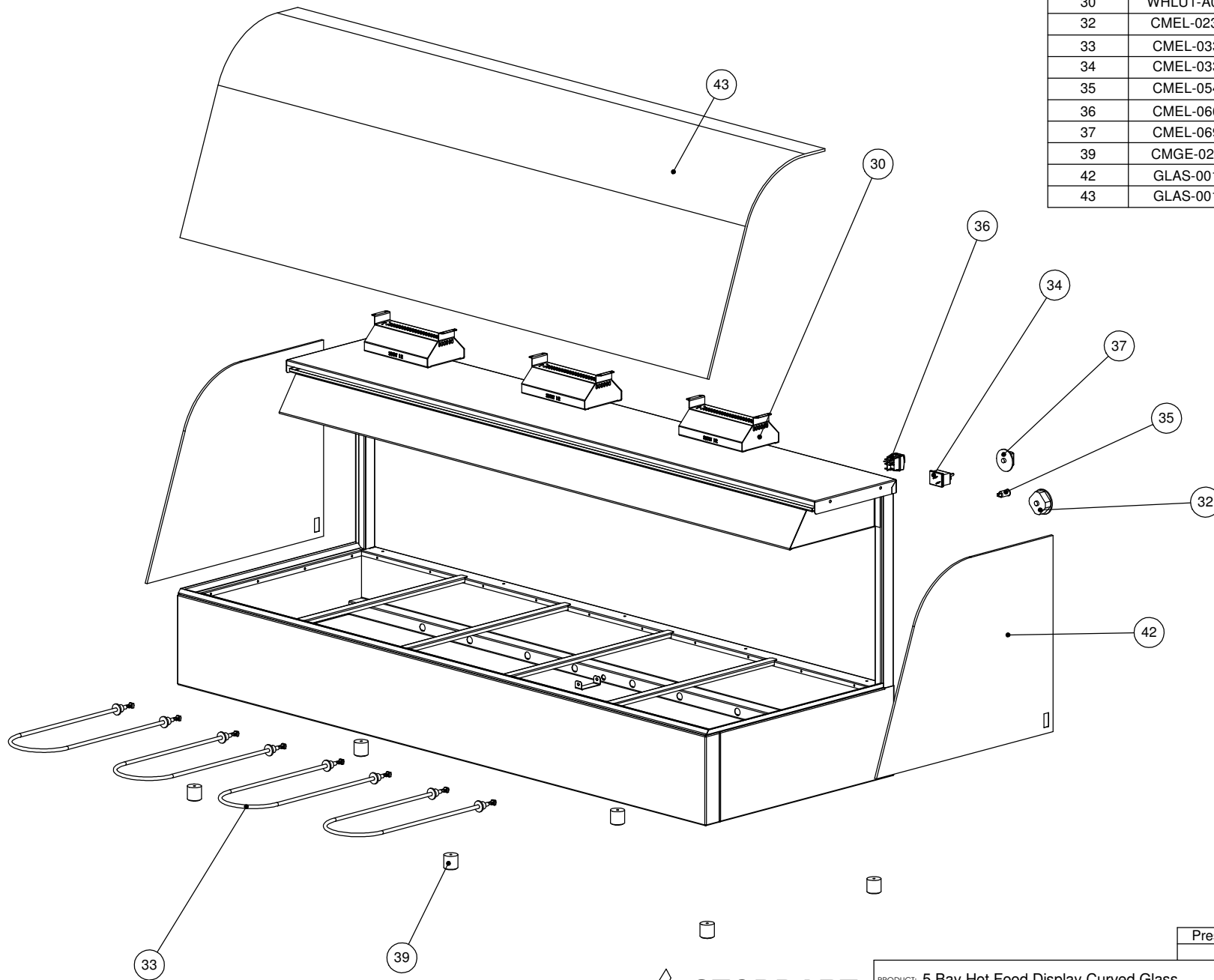


ITEM NO.	PART NUMBER	DESCRIPTION	Curved Glass Spare Parts/QTY.
30	WHLU1-A001	Woodson Heat Lamp Unit 300Watt	3
32	CMEL-0235	Dial Thermometer 30-120deg	1
33	CMEL-0332	600w element	4
34	CMEL-0333	Thermostat 120deg	1
35	CMEL-0540	Indicator Light	1
36	CMEL-0668	Sonar Switch	1
37	CMEL-0698	Thermostat Knob-Blank	1
39	CMGE-0276	32x32 Foot w/Washer	6
42	GLAS-0011	Woodson Curved Glass End	2
43	GLAS-0015	Woodson 5 Bay Curved Front Glass	1



Press:	Programmed by:	Date:	Punch:	Die:
--------	----------------	-------	--------	------


**STODDART**  
**METAL FABRICATORS**  
 TOM STODDART Pty Ltd ACN 009 690 251  
 215 Jackson Rd Sunnybank Hills Qld 4109  
 PO Box 420 Sunnybank Qld 4109  
 Phone (617) 3345 5011 Fax (617) 3344 1000  
 Email sunnybank@stoddart.com.au  
*Quality in stainless steel*

PRODUCT: 5 Bay Hot Food Display Curved Glass				PART No: <b>WHFS25-A001</b>	
DRAWN	N Wooler	SIGNATURE	DATE	UNLESS OTHERWISE SPECIFIED: DIMENSIONS ARE IN MILLIMETERS	
APPVD			23/07/2008	DESCRIPTION: Spare Parts	
			MATERIAL:		REVISION
			THICKNESS:		A
			FINISH:		
DWG No: <b>WHFC25-D001</b>					
DO NOT SCALE DRAWING				This drawing remains the property of Tom Stoddart Pty Ltd & cannot be reproduced without prior permission.	
				A3	Sheet 3 of 8