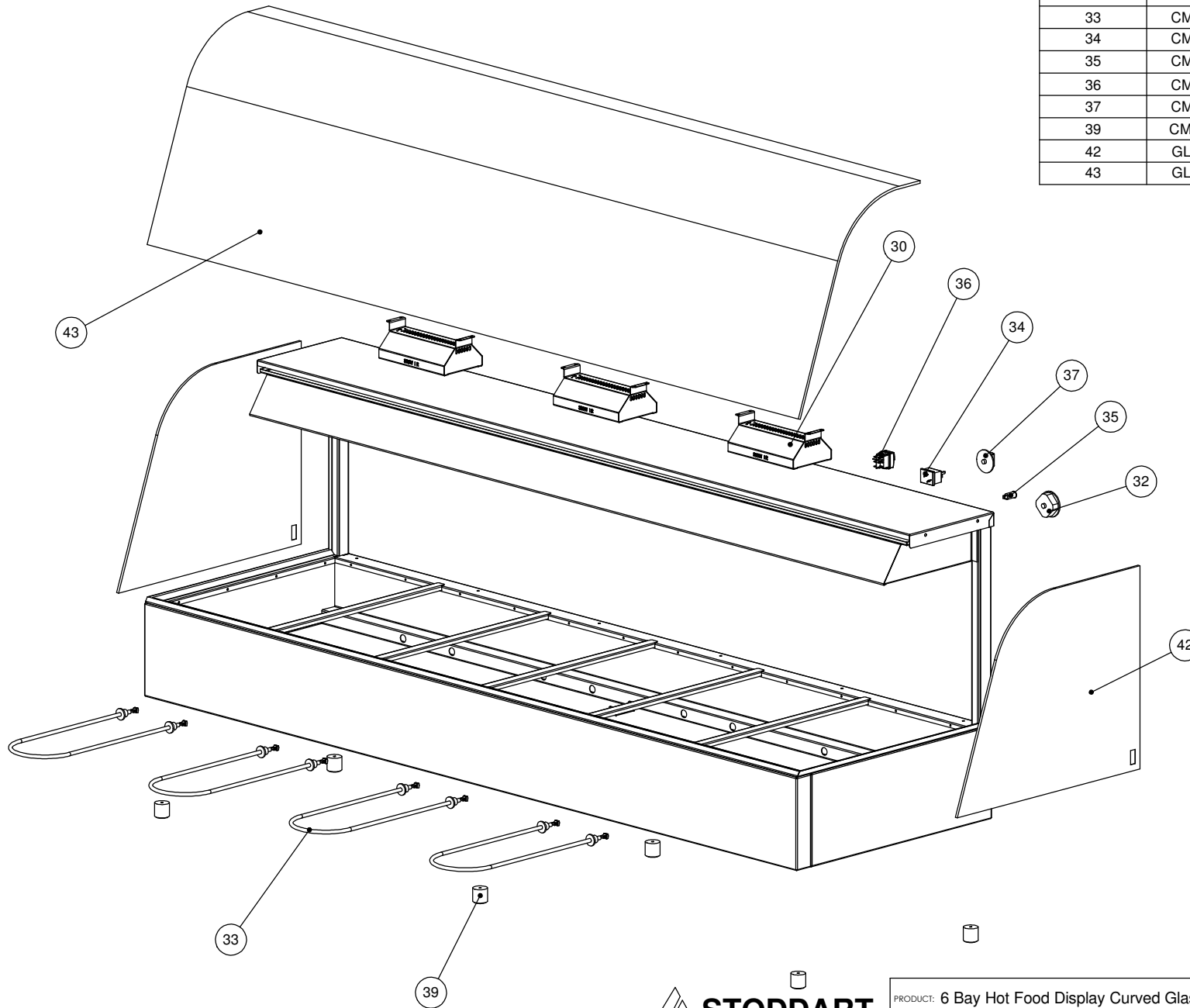


ITEM NO.	PART NUMBER	DESCRIPTION	Curved Glass Spare Parts/QTY.
30	WHLU1-A001	Woodson Heat Lamp Unit 300Watt	3
32	CMEL-0235	Dial Thermometer 30-120deg	1
33	CMEL-0332	600w element	4
34	CMEL-0333	Thermostat 120deg	1
35	CMEL-0540	Indicator Light	1
36	CMEL-0668	Sonar Switch	1
37	CMEL-0698	Thermostat Knob-Blank	1
39	CMGE-0276	32x32 Foot w/Washer	6
42	GLAS-0011	Woodson Curved Glass End	2
43	GLAS-0016	Woodson 6 Bay Curved Front Glass	1



Press:	Programmed by:	Date:	Punch:	Die:
--------	----------------	-------	--------	------

PRODUCT: 6 Bay Hot Food Display Curved Glass				PART No: WHFS26-A001	
DRAWN	NAME	SIGNATURE	DATE	UNLESS OTHERWISE SPECIFIED: DIMENSIONS ARE IN MILLIMETERS	
APP'VD			25/07/2008	DESCRIPTION: Spare Parts	
			MATERIAL:	REVISION	
			THICKNESS:	DWG No: WHFC26-D001	
			FINISH:	A	
DO NOT SCALE DRAWING		This drawing remains the property of Tom Stoddart Pty Ltd & cannot be reproduced without prior permission.			Sheet 3 of 8


STODDART
METAL FABRICATORS
 TOM STODDART Pty Ltd ACN 009 690 251
 215 Jackson Rd Sunnybank Hills Qld 4109
 PO Box 420 Sunnybank Qld 4109
 Phone (617) 3345 5011 Fax (617) 3344 1000
 Email sunnybank@stoddart.com.au
Quality in stainless steel