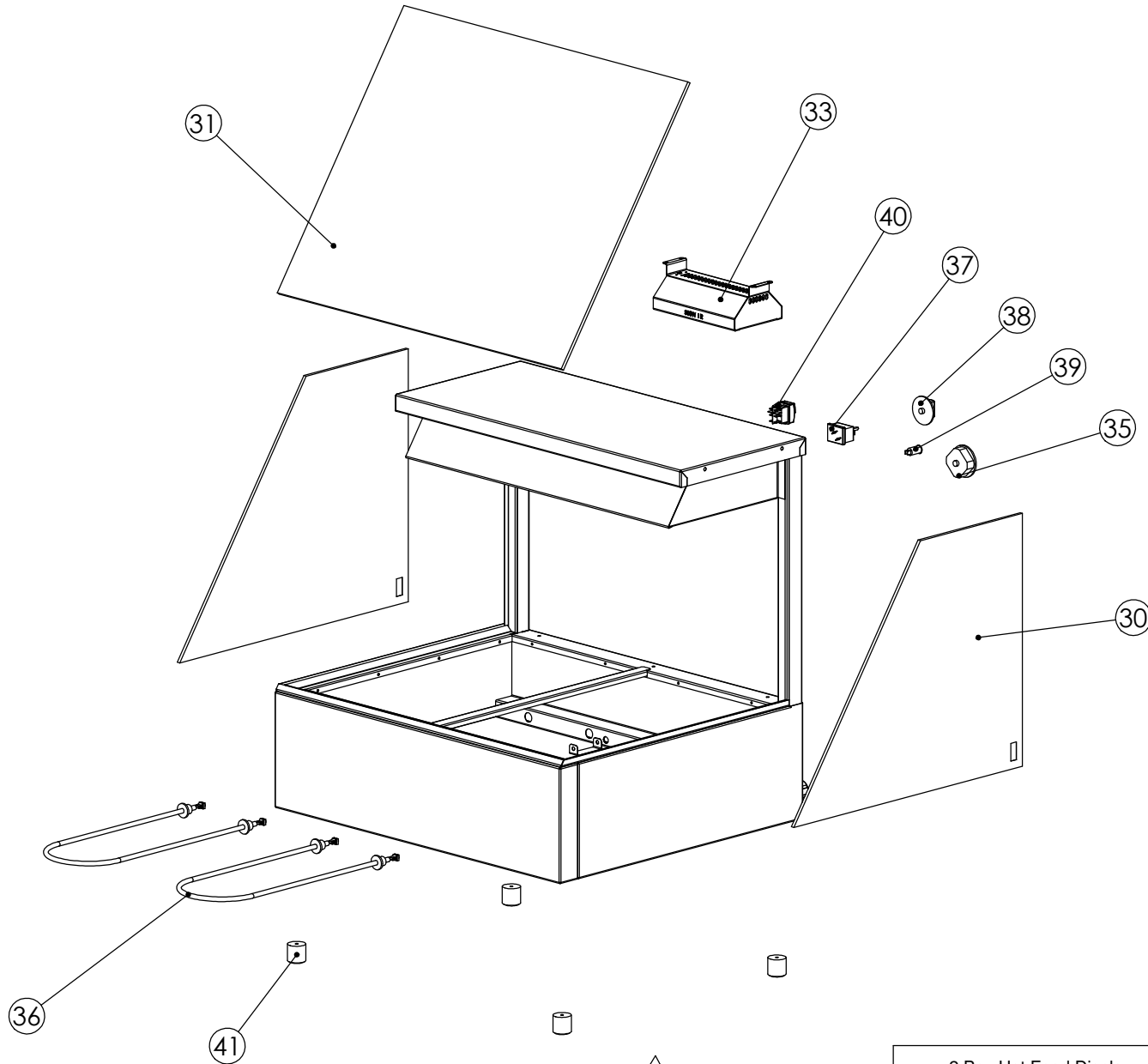


ITEM NO.	PART NUMBER	DESCRIPTION	Spare Parts/QTY.
30	GLAS-0006	Woodson End Glass	2
31	GLAS-0001	Woodson 2 Bay Front Glass	1
33	WHLU1-A001	Woodson Heat Lamp Unit 300Watt	1
34	CMEL-0075	Cord Grip 1.5mm	1
35	CMEL-0235	Dial Thermometer 30-120deg	1
36	CMEL-0332	600w element	2
37	CMEL-0333	Thermostat 120deg	1
38	CMEL-0698	Thermostat Knob-Blank	1
39	CMEL-0540	Indicator Light	1
40	CMEL-0668	Sonar Switch	1
41	CMGE-0276	32x32 Foot w/Washer	4
43	CMFA-0455	Hexsert Large Flange M5	18



Press:	Programmed by:	Date:	Punch:	Die:
--------	----------------	-------	--------	------


STODDART
 METAL FABRICATORS
 TOM STODDART Pty Ltd ACN 009 690 251
 215 Jackson Rd Sunnybank Hills Qld 4109
 PO Box 420 Sunnybank Qld 4109
 Phone (617) 3345 5011 Fax (617) 3344 1000
 Email sunnybank@stoddart.com.au
Quality in stainless steel

PRODUCT: 2 Bay Hot Food Display				PART No: WHFS22-A001	
DRAWN	N Wooler	SIGNATURE	DATE	UNLESS OTHERWISE SPECIFIED: DIMENSIONS ARE IN MILLIMETERS	
APPVD				DESCRIPTION: Spare Parts	
			MATERIAL:		REVISION
			THICKNESS:		A
			FINISH:		
DO NOT SCALE DRAWING		This drawing remains the property of Tom Stoddart Pty Ltd & cannot be reproduced without prior permission.			DWG No: WHFS22-D001
				A3	Sheet 3 of 33