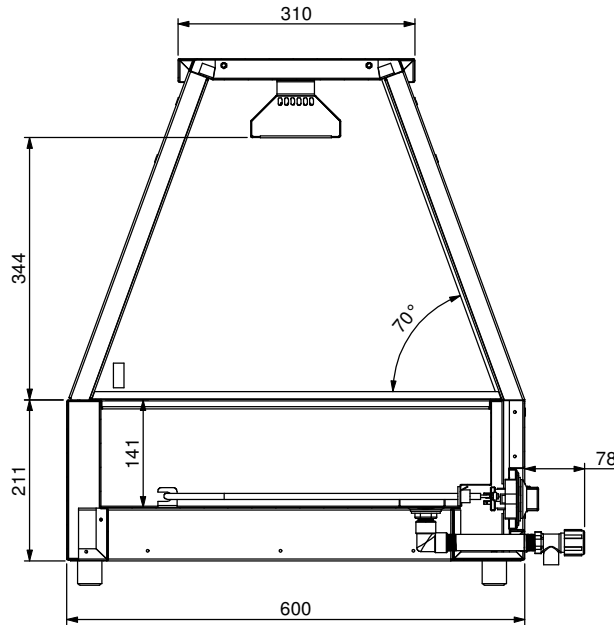
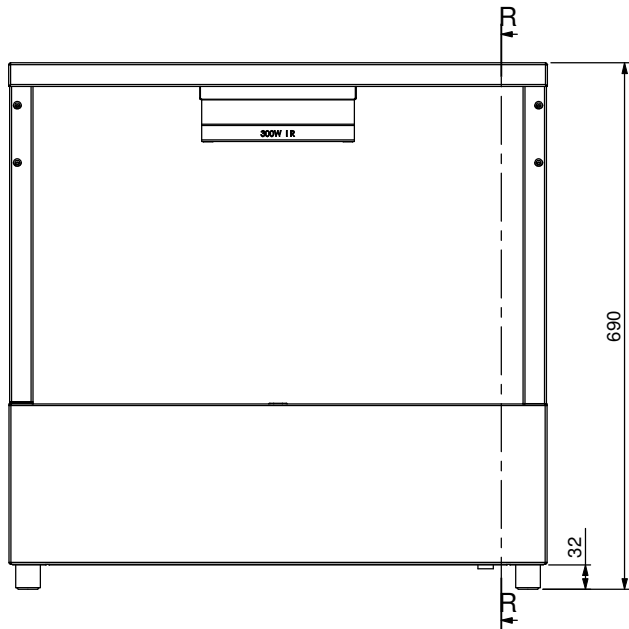
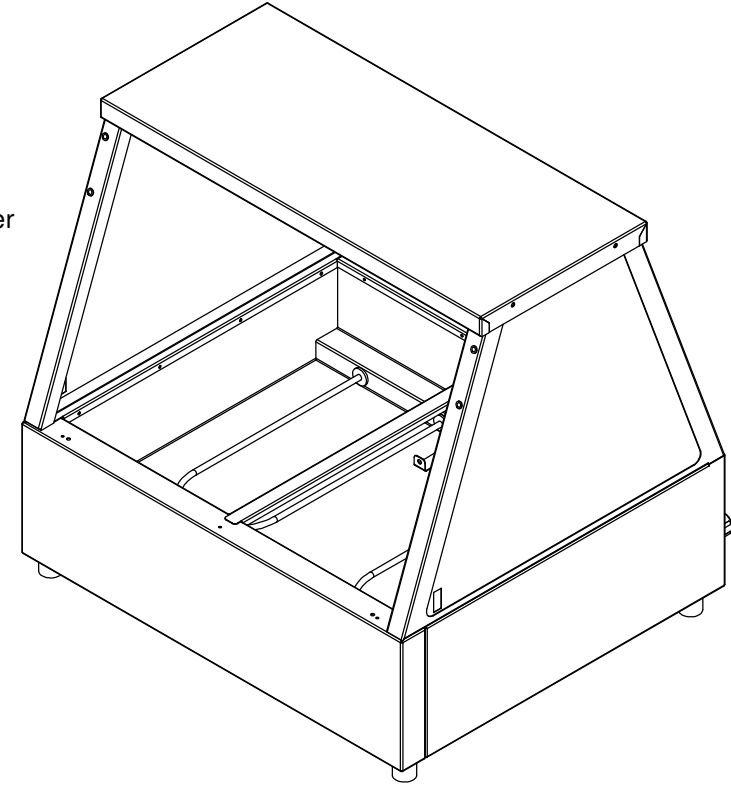


**Product Details**

- Electrical Connection : 10 Amp Plug & Lead (supplied)
- : 240v, 6.25amps, 1500w
- : 2 elements @ 600w
- : 1 Woodson Heat Lamp Unit @ 300w
- Waste : 13mm with 19mm drain and 1/2" BSP mini cistern cock
- Unit Controls : Switch for main power and heat lamp
- : Knob for thermostat with dial thermometer



SECTION R-R

Press:	Programmed by:	Date:	Punch:	Die:
--------	----------------	-------	--------	------

**STODDART**  
 METAL FABRICATORS  
 TOM STODDART Pty Ltd ACN 009 690 251  
 215 Jackson Rd Sunnybank Hills Qld 4109  
 PO Box 420 Sunnybank Qld 4109  
 Phone (617) 3345 5011 Fax (617) 3344 1000  
 Email sunnybank@stoddart.com.au  
*Quality in stainless steel*

PRODUCT: 2 Bay Hot Food Display - Self Serve				PART No: <b>WHFS22-A001</b>	
NAME	SIGNATURE	DATE	UNLESS OTHERWISE SPECIFIED: DIMENSIONS ARE IN MILLIMETERS	DESCRIPTION: General Drawing	
DRAWN N Wooler		18/07/2008			
APPVD			MATERIAL:	DWG No: WHFS22SS-D001	
			THICKNESS:	REVISION	
			FINISH:	A	
DO NOT SCALE DRAWING			This drawing remains the property of Tom Stoddart Pty Ltd & cannot be reproduced without prior permission.		
			A3	Sheet 1 of 11	