

**Product Details**

Electrical Connection : 10 Amp Plug & Lead (supplied)

Electrical Rating : 240v, 10amps, 2400w,

: 3 elements @ 600w

: 2 Woodson Heat Lamp Unit @ 300w

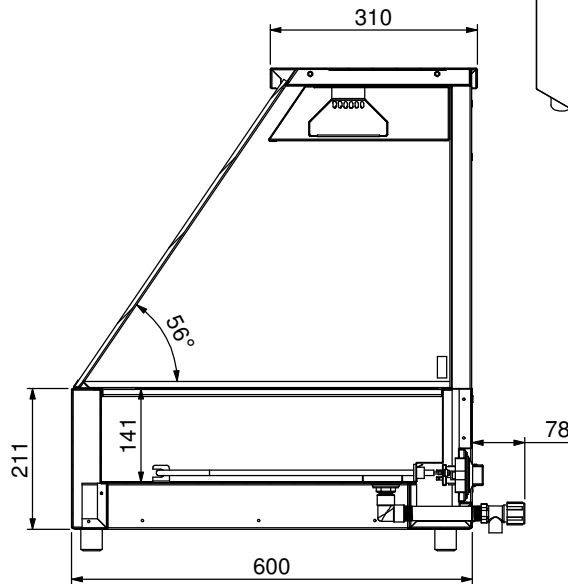
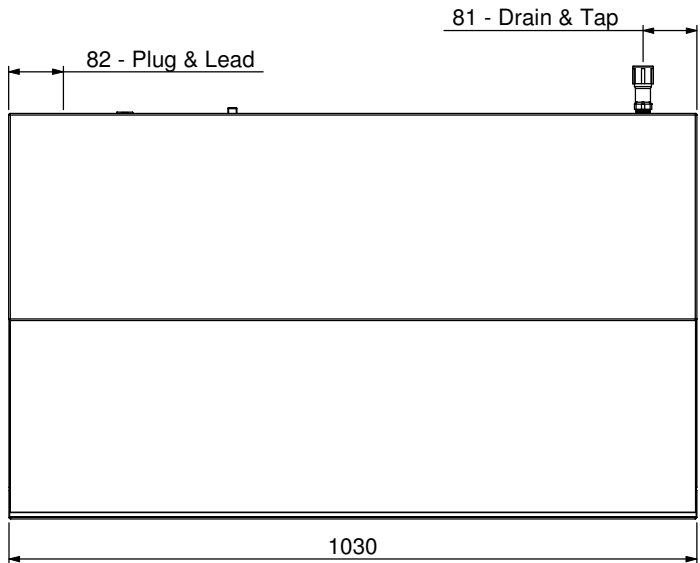
: 13mm with 19mm drain  
and 1/2" BSP mini cistern cock

Waste

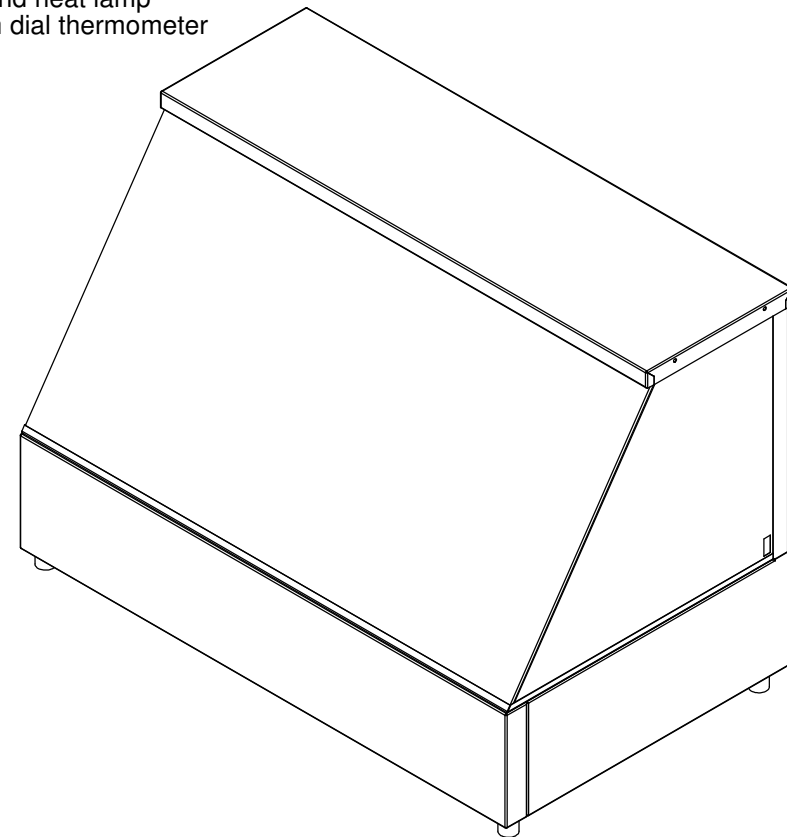
Unit Controls

: Switch for main power and heat lamp

: Knob for thermostat with dial thermometer



SECTION CJ-CJ



Press:	Programmed by:	Date:	Punch:	Die:
--------	----------------	-------	--------	------

**STODDART**  
METAL FABRICATORS  
TOM STODDART Pty Ltd ACN 009 690 251  
215 Jackson Rd Sunnybank Hills Qld 4109  
PO Box 420 Sunnybank Qld 4109  
Phone (617) 3345 5011 Fax (617) 3344 1000  
Email sunnybank@stoddart.com.au  
*Quality in stainless steel*

PRODUCT: 3 Bay Hot Food Display				PART No: <b>WHFS23-A001</b>	
DRAWN	N Wooler	SIGNATURE	DATE	UNLESS OTHERWISE SPECIFIED: DIMENSIONS ARE IN MILLIMETERS	
APPVD				DESCRIPTION: General Drawing	
			MATERIAL:		REVISION
			THICKNESS:		B
			FINISH:		
DO NOT SCALE DRAWING		This drawing remains the property of Tom Stoddart Pty Ltd & cannot be reproduced without prior permission.			A3
					Sheet 1 of 33