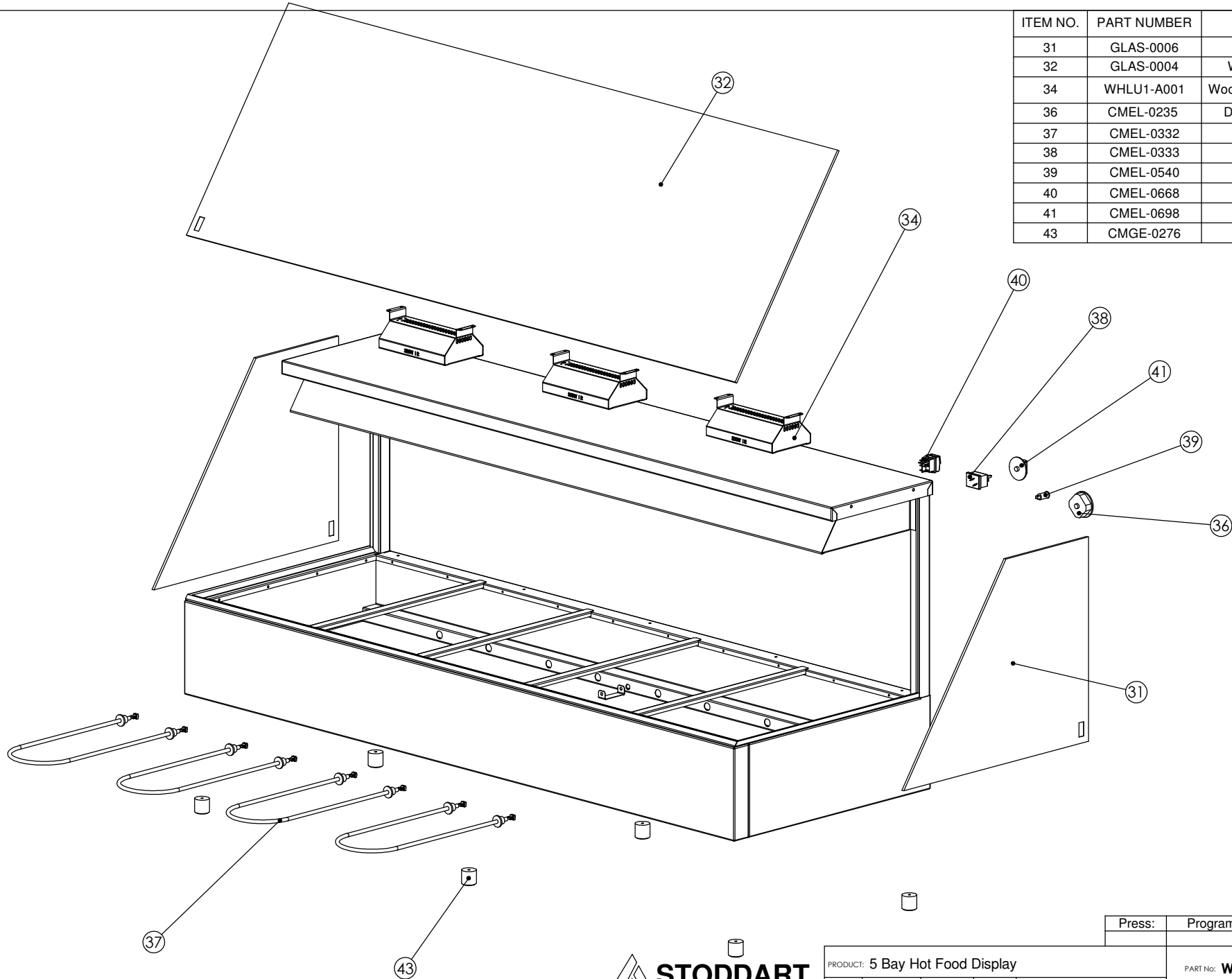


ITEM NO.	PART NUMBER	DESCRIPTION	Spare Parts/QTY.
31	GLAS-0006	Woodson End Glass	2
32	GLAS-0004	Woodson 5 Bay Front Glass	1
34	WHLU1-A001	Woodson Heat Lamp Unit 300Watt	3
36	CMEL-0235	Dial Thermometer 30-120deg	1
37	CMEL-0332	600w element	4
38	CMEL-0333	Thermostat 120deg	1
39	CMEL-0540	Indicator Light	1
40	CMEL-0668	Sonar Switch	1
41	CMEL-0698	Thermostat Knob-Blank	1
43	CMGE-0276	32x32 Foot w/Washer	6



Press:	Programmed by:	Date:	Punch:	Die:
--------	----------------	-------	--------	------

PRODUCT: 5 Bay Hot Food Display				PART No: WHFS25-A001	
NAME	SIGNATURE	DATE	UNLESS OTHERWISE SPECIFIED: DIMENSIONS ARE IN MILLIMETERS	DESCRIPTION: Spare Parts	
DRAWN	N Wooler	23/07/2008			
APPVD			MATERIAL:	DWG No: WHFS25-D001	
			THICKNESS:	REVISION	
			FINISH:	A	
DO NOT SCALE DRAWING			This drawing remains the property of Tom Stoddart Pty Ltd & cannot be reproduced without prior permission.		


STODDART
METAL FABRICATORS
 TOM STODDART Pty Ltd ACN 009 690 251
 215 Jackson Rd Sunnybank Hills Qld 4109
 PO Box 420 Sunnybank Qld 4109
 Phone (617) 3345 5011 Fax (617) 3344 1000
 Email sunnybank@stoddart.com.au
Quality in stainless steel