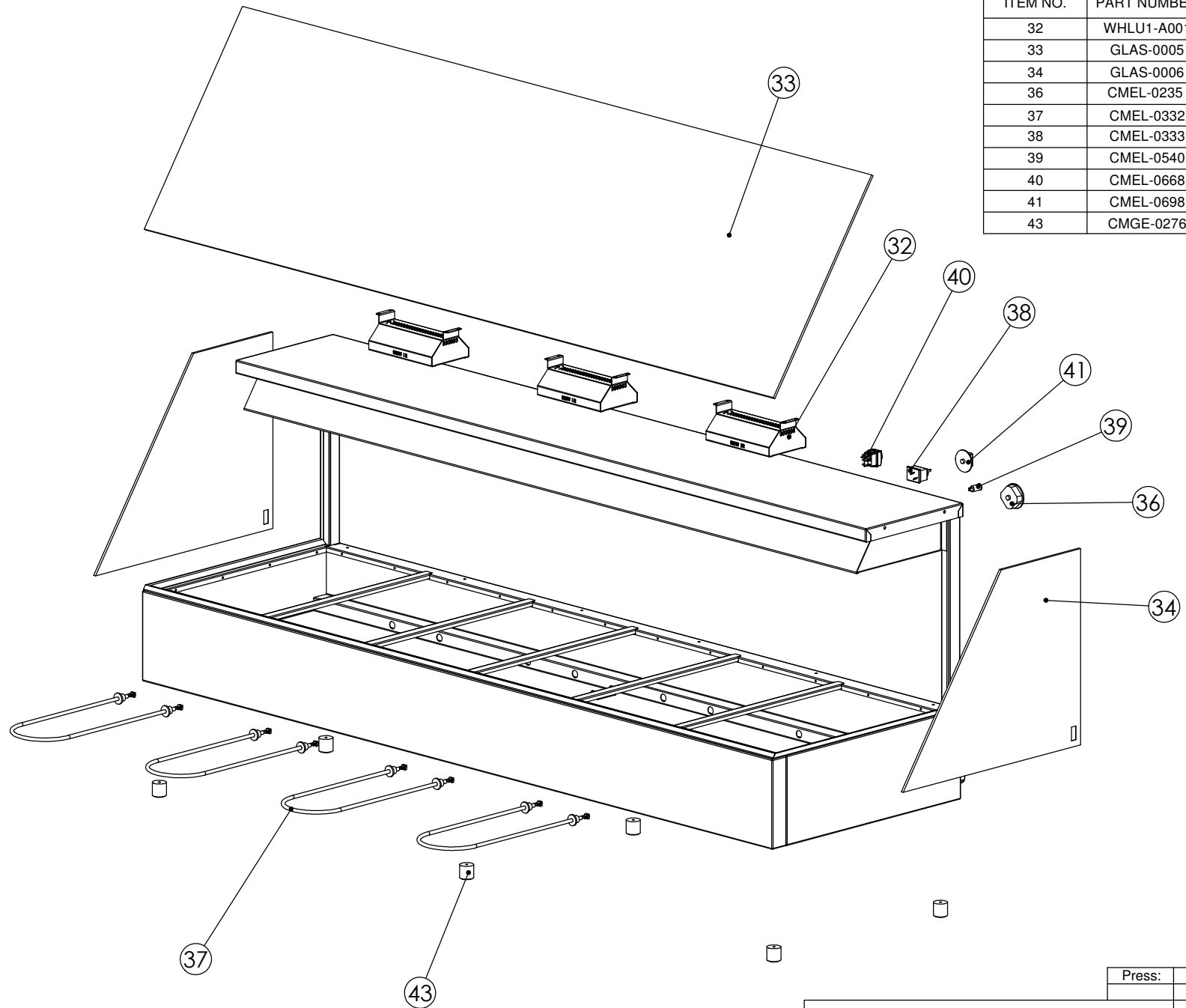


ITEM NO.	PART NUMBER	DESCRIPTION	Spare Parts/QTY.
32	WHLU1-A001	Woodson Heat Lamp Unit 300Watt	3
33	GLAS-0005	Woodson 6 Bay Front Glass	1
34	GLAS-0006	Woodson End Glass	2
36	CMEL-0235	Dial Thermometer 30-120deg	1
37	CMEL-0332	600w element	4
38	CMEL-0333	Thermostat 120deg	1
39	CMEL-0540	Indicator Light	1
40	CMEL-0668	Sonar Switch	1
41	CMEL-0698	Thermostat Knob-Blank	1
43	CMGE-0276	32x32 Foot w/Washer	6



Press:	Programmed by:	Date:	Punch:	Die:
--------	----------------	-------	--------	------

**STODDART**  
**METAL FABRICATORS**  
TOM STODDART Pty Ltd ACN 009 690 251  
215 Jackson Rd Sunnybank Hills Qld 4109  
PO Box 420 Sunnybank Qld 4109  
Phone (617) 3345 5011 Fax (617) 3344 1000  
Email sunnybank@stoddart.com.au  
*Quality in stainless steel*

PRODUCT: 6 Bay Hot Food Display				PART No: <b>WHFS26-A001</b>	
DRAWN	N Wooler	SIGNATURE	DATE	UNLESS OTHERWISE SPECIFIED: DIMENSIONS ARE IN MILLIMETERS	
APPVD			25/07/2008	DESCRIPTION: Spare Parts	
			MATERIAL:	DWG No: <b>WHFS26-D001</b>	
			THICKNESS:	REVISION	
			FINISH:	<b>A</b>	
DO NOT SCALE DRAWING				This drawing remains the property of Tom Stoddart Pty Ltd & cannot be reproduced without prior permission.	
				A3	Sheet 3 of 34