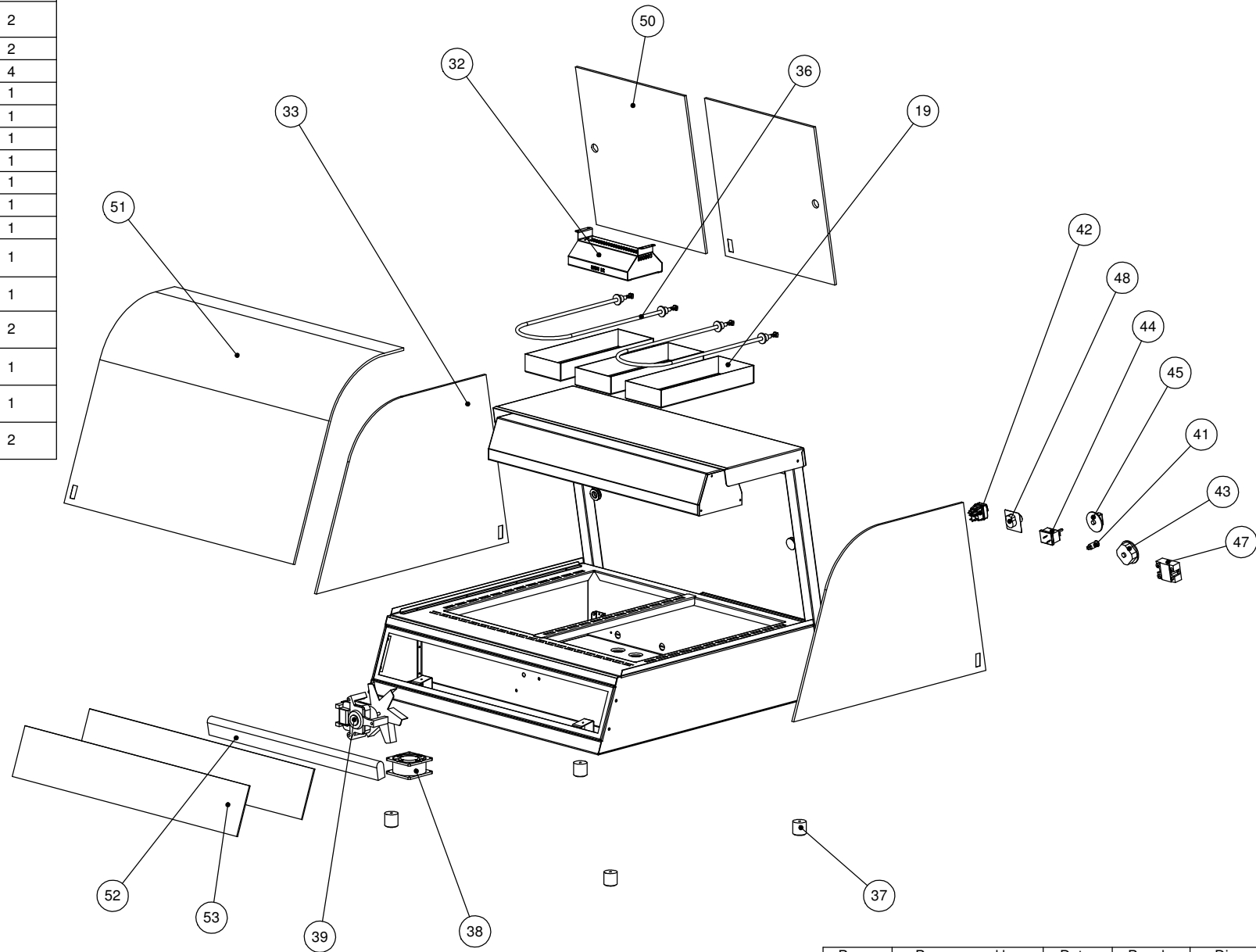


ITEM NO.	PART NUMBER	DESCRIPTION	Spare Parts/QTY.
19	WPHC.22-P022	Small Water Tray	3
32	WHLU1-A001	Woodson Heat Lamp 300watt	1
33	GLAS-0051	Glass 6mm Float Chicken Warmer	2
36	CMEL-0332	600w element	2
37	CMGE-0276	32x32 Foot w/Washer	4
38	CMEL-0712	Papst Fan TYP 8550 N	1
39	CMEL-0731	Fan Oven R2K150-AC03-25	1
41	CMEL-0540	Indicator Light	1
42	CMEL-0668	Sonar Switch	1
43	CMEL-0235	Dial Thermometer 30-120deg	1
44	CMEL-0333	Thermostat 30-120deg	1
45	CMEL-0698	Thermostat Knob-Blank	1
47	CMEL-0191a	40 Amp Solid State Variable Relay	1
48	CMEL-0191b	Dimmer Switch to suit CMEL-0191a	1
50	GLAS-0122	Glass Door 412x370x6mm Toughened	2
51	GLAS-0121	Curved Glass 776Lx200Rx466H	1
52	CMEL-1021	Flouro Assy; Electronic; Superlux SFT5-13; 13Watt	1
53	CMGE-1029	Acrylic; Clear; 760x125x3.0	2



Press:	Programmed by:	Date:	Punch:	Die:
--------	----------------	-------	--------	------

STODDART MANUFACTURING
TOM STODDART Pty Ltd ACN 009 690 251
215 Jackson Rd Sunnybank Hills Qld 4109
P.O. Box 420 Sunnybank Qld 4109
Phone: (617) 3344 2444 Fax: (617) 3344 6403
Email: sunnybank@stoddart.com.au
Quality in stainless steel

PRODUCT: 2 Module Chicken Display Heated				PART No: WPHC.22-A001	
DRAWN	NAME	SIGNATURE	DATE	UNLESS OTHERWISE SPECIFIED: DIMENSIONS ARE IN MILLIMETERS	
	N Wooler		25/02/2009	DESCRIPTION: Spare Parts	
APPVD				MATERIAL:	REVISION
	Weight: 55.24 kg			THICKNESS:	
	Surface Area: 11.61 M2			FINISH:	
DO NOT SCALE DRAWING		This drawing remains the property of Tom Stoddart Pty Ltd & cannot be reproduced without prior permission.			A3
				Sheet 3 of 33	