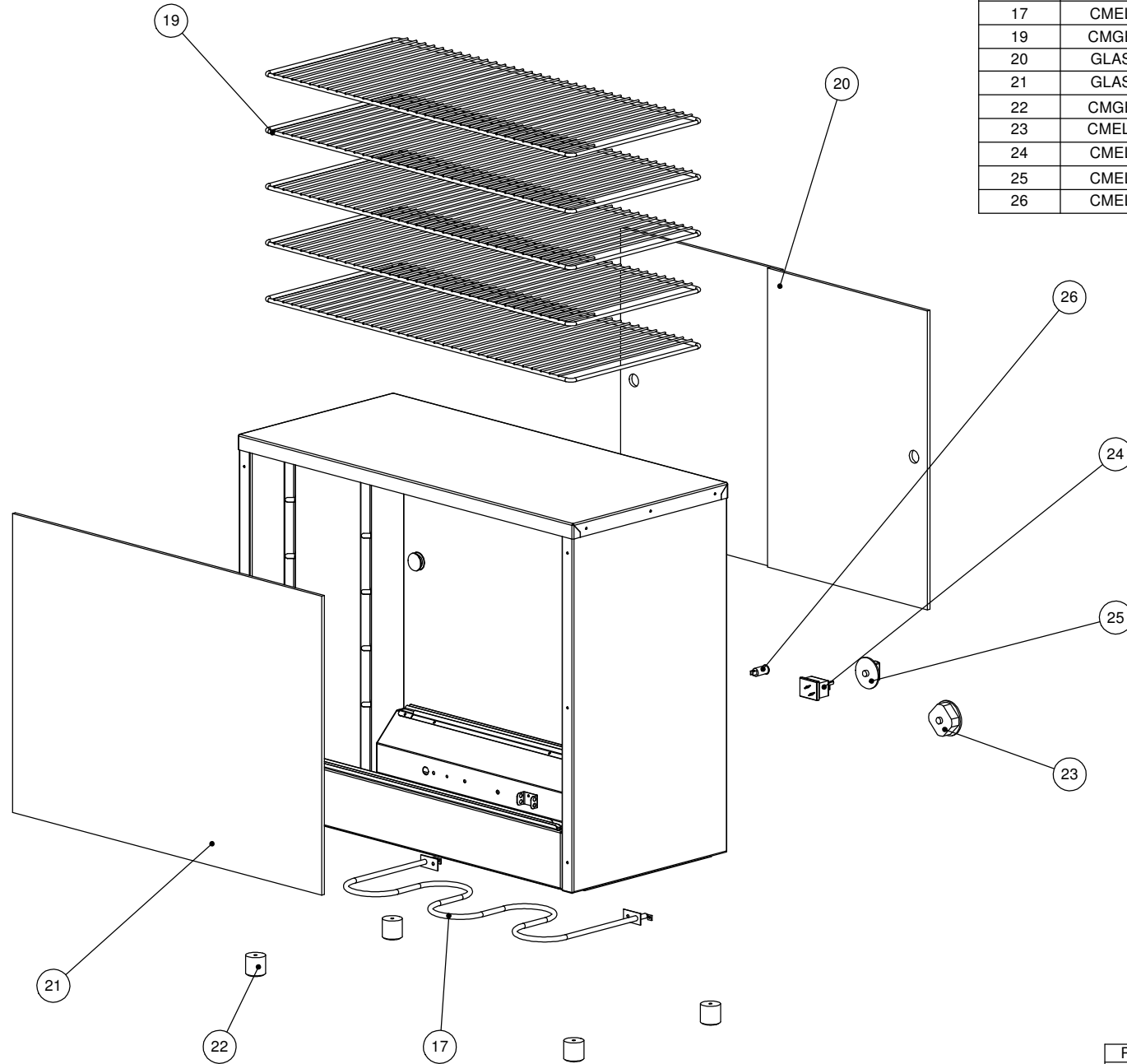


ITEM NO.	PART NUMBER	DESCRIPTION	Spare Parts/QTY.
17	CMEL-0341	Element Pie Warmer 1250w	1
19	CMGE-0290	WPIA100 Wire Shelf	5
20	GLAS-0031	360x494x6mm Glass Door Toughened	2
21	GLAS-0030	696x494x6mm Glass Toughened	1
22	CMGE-0276	32x32 Foot w/Washer	4
23	CMEL-0235	Dial Thermometer 30-120deg	1
24	CMEL-0333	Thermostat 120deg	1
25	CMEL-0698	Thermostat Knob-Blank	1
26	CMEL-0540	Indicator Light	1



Press:	Programmed by:	Date:	Punch:	Die:
--------	----------------	-------	--------	------


STODDART
METAL FABRICATORS
 TOM STODDART Pty Ltd ACN 009 690 251
 215 Jackson Rd Sunnybank Hills Qld 4109
 PO Box 420 Sunnybank Qld 4109
 Phone (617) 3345 5011 Fax (617) 3344 1000
 Email sunnybank@stoddart.com.au
Quality in stainless steel

PRODUCT: 100 Pie Display				PART No: WPIA100-A001	
DRAWN	N Wooler	SIGNATURE	DATE	UNLESS OTHERWISE SPECIFIED: DIMENSIONS ARE IN MILLIMETERS	
APPV'D			16/08/2004	DESCRIPTION: Spare Parts	
			MATERIAL: 430 BA S/S	REVISION	
			THICKNESS:	DWG No: WPIA100-D001	
			FINISH:	Sheet 3 of 23	
DO NOT SCALE DRAWING		This drawing remains the property of Tom Stoddart Pty Ltd & cannot be reproduced without prior permission.			A3
				B	