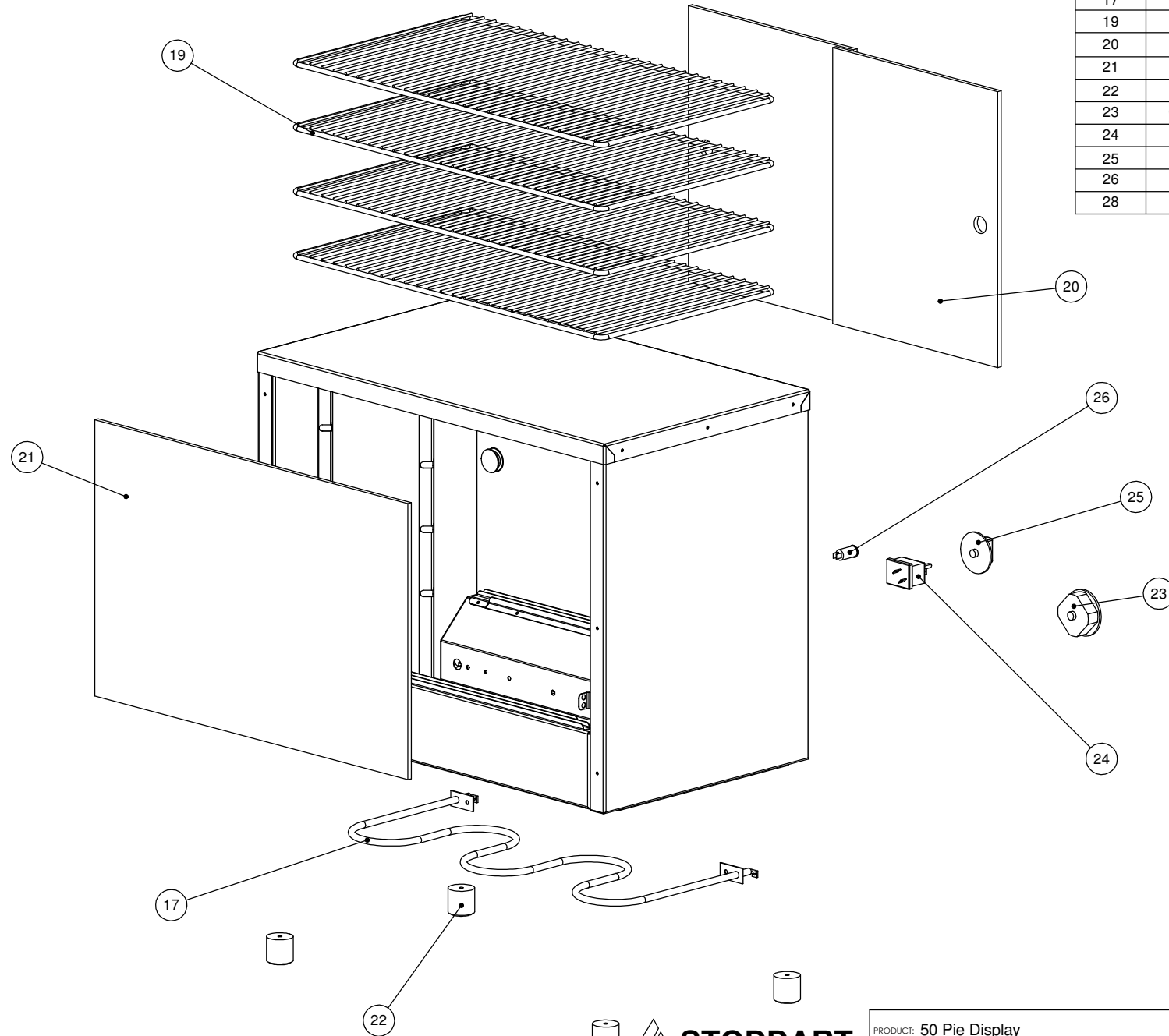


ITEM NO.	PART NUMBER	DESCRIPTION	Spare Parts/QTY.
17	CMEL-0341	Element Pie Warmer 1250w	1
19	CMGE-0287	Shelf 50 Pie Warmer 530 x 300	4
20	GLAS-0029	280x344x6mm Glass Door Toughened	2
21	GLAS-0028	531x344x6mm Glass Toughened	1
22	CMGE-0276	32x32 Foot w/Washer	4
23	CMEL-0235	Dial Thermometer 30-120deg	1
24	CMEL-0333	Thermostat 120deg	1
25	CMEL-0698	Thermostat Knob-Blank	1
26	CMEL-0540	Indicator Light	1
28	CMFA-0455	Hexsert Large Flange M5	6



STODDART
METAL FABRICATORS
 TOM STODDART Pty Ltd ACN 009 690 251
 215 Jackson Rd Sunnybank Hills Qld 4109
 PO Box 420 Sunnybank Qld 4109
 Phone (617) 3345 5011 Fax (617) 3344 1000
 Email sunnybank@stoddart.com.au
Quality in stainless steel

Press:		Programmed by:		Date:	Punch:	Die:	
PRODUCT: 50 Pie Display				PART No: WPIA50-A001			
DRAWN	N Wooler	SIGNATURE	DATE	UNLESS OTHERWISE SPECIFIED: DIMENSIONS ARE IN MILLIMETERS			
APPV'D			16/08/2004	DESCRIPTION: Spare Parts			
				MATERIAL: 430 BA S/S	REVISION		
				THICKNESS:	DWG No: WPIA50-D001		
				FINISH:	A		
DO NOT SCALE DRAWING		This drawing remains the property of Tom Stoddart Pty Ltd & cannot be reproduced without prior permission.				A3	Sheet 3 of 23