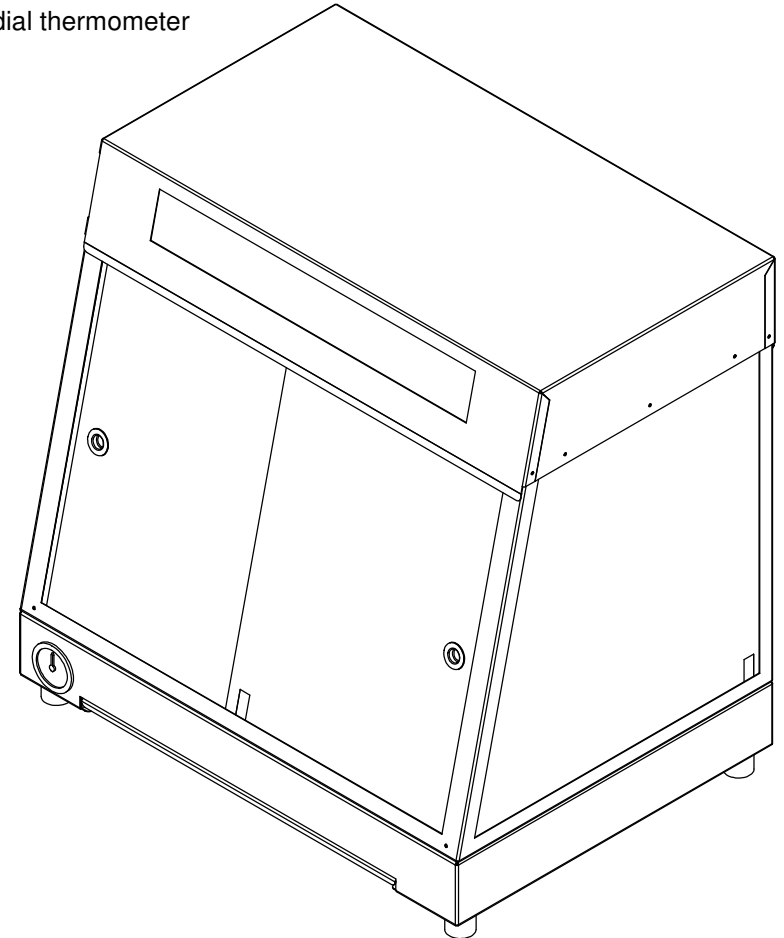
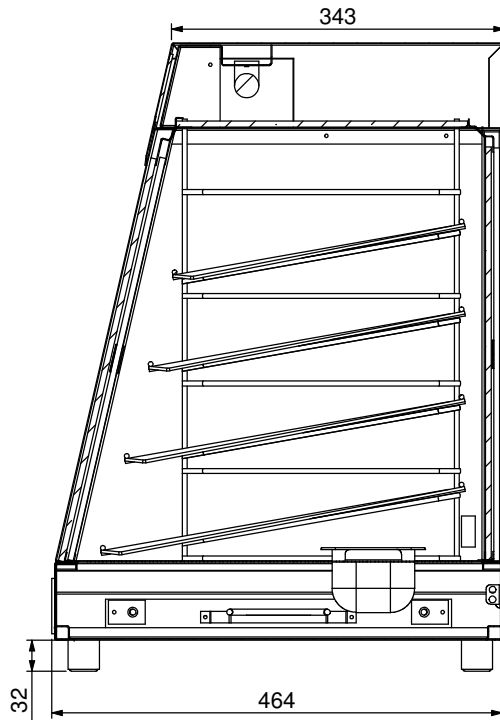
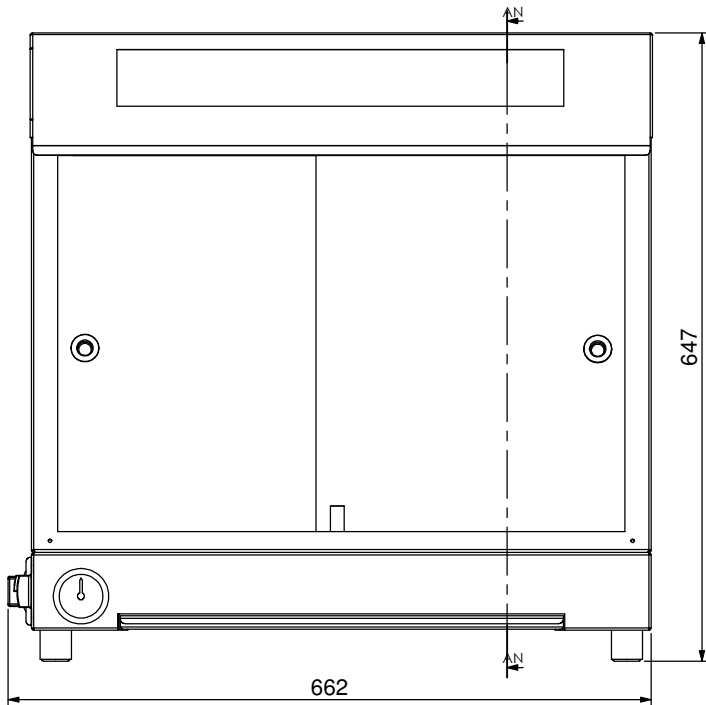


Product Details

Electrical Connection : Supply single phase
 : 240v, 6.3amps, 1515w, 10amp plug and lead supplied
 : 1 elements @ 1500w (240V)

Unit Controls

: 1 fluoro light 520 long @ 15w (240V)
 : Switch for main power and element
 : Switch for fluoro light
 : Knob for thermostat with dial thermometer



SECTION AN-AN

Press:	Programmed by:	Date:	Punch:	Die:
--------	----------------	-------	--------	------

STODDART
 METAL FABRICATORS
 TOM STODDART Pty Ltd ACN 009 690 251
 215 Jackson Rd Sunnybank Hills Qld 4109
 PO Box 420 Sunnybank Qld 4109
 Phone (617) 3345 5011 Fax (617) 3344 1000
 Email sunnybank@stoddart.com.au
Quality in stainless steel

PRODUCT: 60 Pie Display				PART No: WPIM60-A001	
DRAWN	N Wooler	SIGNATURE	DATE	UNLESS OTHERWISE SPECIFIED: DIMENSIONS ARE IN MILLIMETERS	
APPVD				DESCRIPTION: General Drawing	
			MATERIAL:		REVISION
			THICKNESS:		B
			FINISH:		
DWG No: WPIM60-D001		This drawing remains the property of Tom Stoddart Pty Ltd & cannot be reproduced without prior permission.			Sheet 1 of 35
DO NOT SCALE DRAWING		A3			