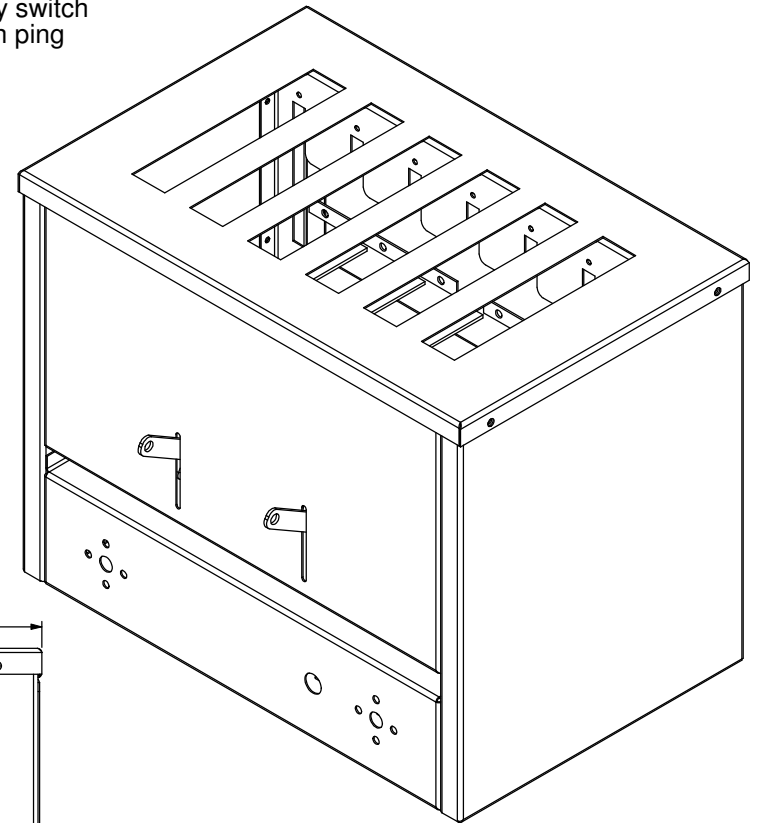
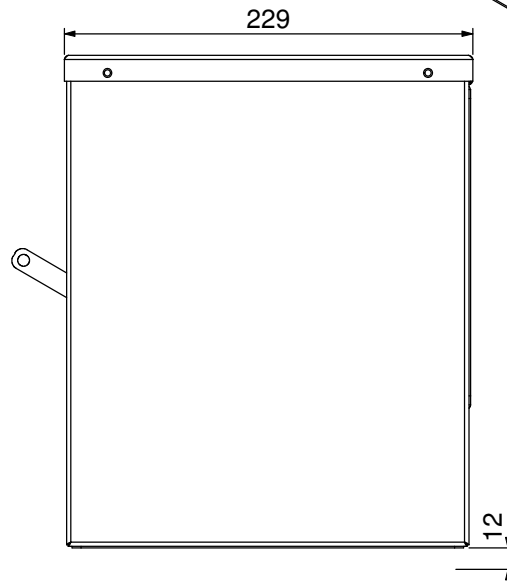
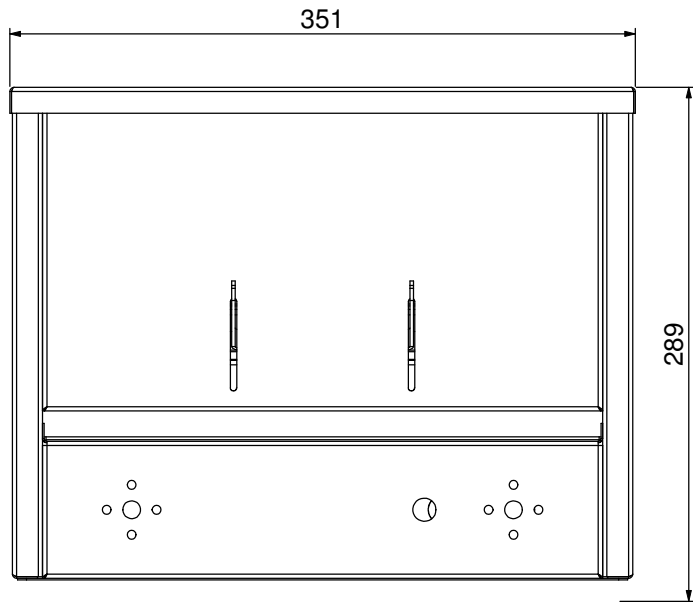
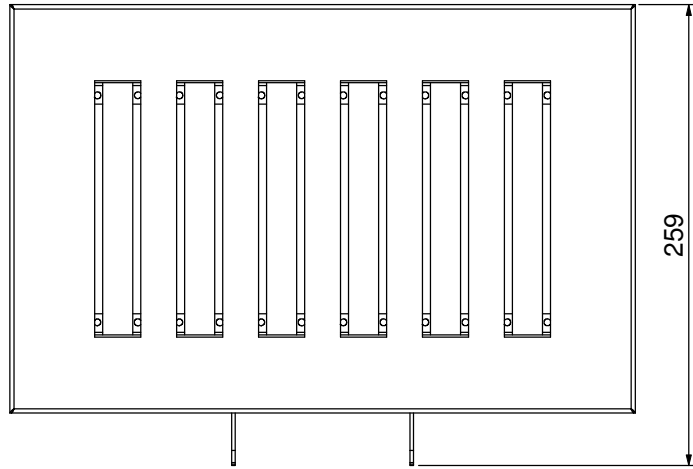


Product Details

Electrical Connection : Supply single phase
 : 240v, 15amps, 2800w, 15amp plug & lead supplied
 : 7 elements @ 400w (240V)
 Unit Controls : Knob for 4 position rotary switch
 : Knob for 4 min timer with ping



Press:	Programmed by:	Date:	Punch:	Die:
--------	----------------	-------	--------	------

STODDART
 METAL FABRICATORS
 TOM STODDART Pty Ltd ACN 009 690 251
 215 Jackson Rd Sunnybank Hills Qld 4109
 PO Box 420 Sunnybank Qld 4109
 Phone (617) 3345 5011 Fax (617) 3344 1000
 Email sunnybank@stoddart.com.au
Quality in stainless steel

PRODUCT: 6 Slice Vertical Toaster				PART No: WTOV6-A001	
DRAWN	N Wooler	SIGNATURE	DATE	UNLESS OTHERWISE SPECIFIED: DIMENSIONS ARE IN MILLIMETERS	
APPV'D			30/05/2008	DESCRIPTION: General Drawing	
			MATERIAL: THICKNESS: FINISH:	DWG No: WTOV6-D001	REVISION A
DO NOT SCALE DRAWING				This drawing remains the property of Tom Stoddart Pty Ltd & cannot be reproduced without prior permission.	