



# infra-red toaster/griller

**MODEL: WGL175**

## APPLICATIONS

- Ideal for grilling, toasting or warming foods such as bread, cheese etc.

## CAPACITY GUIDE

- 4-6 slices on 450mm x 260mm rack

## STANDARD FEATURES

- Grills, toasts and warms
- Top & bottom elements with choice of top element operation only
- 15 minute automatic timer controlled operation
- Stainless steel construction
- Easy-clean removable crumb tray

Also available in 10 amp (WGL170)

## SPECIFICATIONS

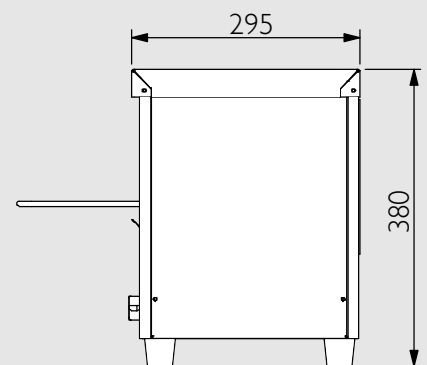
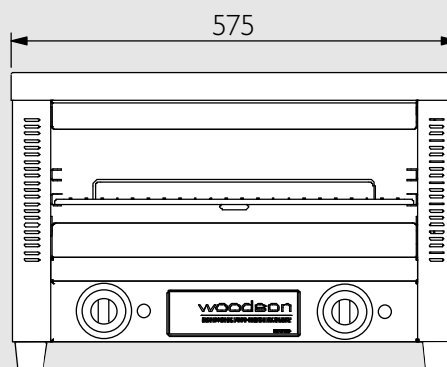
Kw 3.4		Amps 15	
Width 575	Depth 295	Height 380	
Weight 16kg			

We reserve the right to alter specifications of products without notice

**Dealer:**



**WGL175**



We reserve the right to alter specifications of products without notice

**For details of your local dealer contact:**

QLD, NT, WA, International  
ph 07 3344 2444 fax 07 3345 6403  
email fse@stoddart.com.au

NSW, VIC, SA  
ph 02 9817 7700 fax 02 9817 7800  
email gladesville@stoddart.com.au

**Manufactured by:**

Tom Stoddart Pty Ltd  
215 Jackson Road Sunnybank Hills  
Qld 4109 Australia