



Hot food displays

# hot food display cabinets

**MODELS: WHFS/C22; 23; 24; 25 & 26**

**STANDARD FEATURES**

- Stainless steel construction with dual skin air-insulated bain marie tank for improved safety
- All toughened glass gantry - fully sealed to prevent vermin ingress
- Multiple element design means unit will continue to operate in the event of element failure
- Thermostat controls with clear temp. readout
- Large 20mm drain downward emptying ball valve
- Overhead heat lamps wired to maximise light, heat and reliability - with perimeter cover
- Full size gastronorm cavity to take choice of 65mm and 100mm pan combinations
- Easy to service via rear access panel
- 2 & 3 bay supplied with 10 amp plug & lead
- 4, 5 & 6 bay supplied with 15 amp plug & lead

**OPTIONS**

**Easy to accessorise with:**

- Rear glass sliding doors (add G to code)
- ½ size pans, 65mm deep (add 65 to code)
- Trolleys & trolley accessories

**WHFS/C22 - 2 x ½ pans wide, 2 rows**  
Kw 2.3 W 700 D 600 H 690

**WHFS/C23 - 3 x ½ pans wide, 2 rows**  
Kw 2.4 W 1030 D 600 H 690

**WHFS/C24 - 4 x ½ pans wide, 2 rows**  
Kw 3.5 W 1355 D 600 H 690

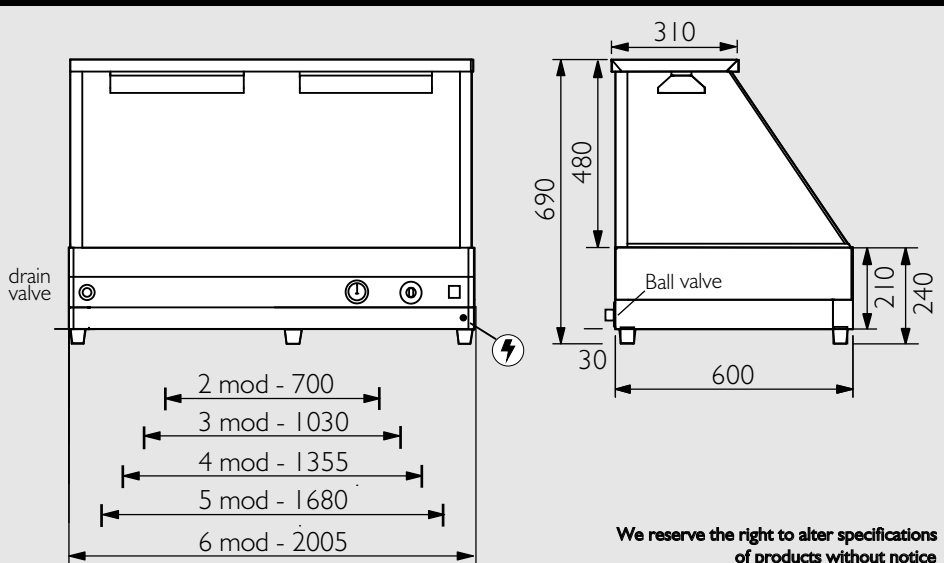
**WHFS/C25 - 5 x ½ pans wide, 2 rows**  
Kw 3.6 W 1680 D 600 H 690

**WHFS/C26 - 6 x ½ pans wide, 2 rows**  
Kw 3.6 W 2005 D 600 H 690



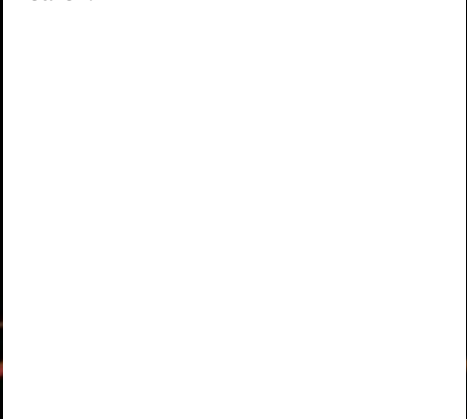
Model shown WHFS23

**WHFS/C**



We reserve the right to alter specifications of products without notice

**Dealer:**



**For details of your local dealer contact:**

QLD, NT, WA, International      NSW, ACT      VIC, SA, TAS  
 ph 07 3344 2444 fax 07 3345 6403      ph 02 9817 7700 fax 02 9817 7800      ph 03 9543 9922 fax 03 9543 9944  
 email fse@stoddart.com.au      email gladesville@stoddart.com.au      email melbourne@stoddart.com.au